

Inorax-AL Network Rack Cabinet



Inorax-AL network rack cabinet system offers the best solution for IT and Telecom applications in dense and complex cabling environments. A wide range of cable management accessories is available to ensure perfect management of copper & fiber cables and 19" equipment. Vertical 19" mounting rails can be adjusted freely through the depth, which simplify mounting of any device and configuration of connecting cables. Black tinted left and right sections on the front glass door hide the excess cables from the view of the user and gives an aesthetic look to the rack. Flat-pack option enables savings up to 60% in the transport cost and warehouse space.

Technical Features

Material	Frame ; Anodized aluminium extrusion profiles Other parts : 1,2 and 2 mm steel
Color	RAL 7035 or RAL 9005
Compliance	RoHS, UL Certified
Packaging	Assembled or unassembled
Maximum Static Load	Up to 2000 kg.
Finish	Doors, side panels, top covers: Electrostatic Powder Paint 19" mounting rails: Zinc-plated

Standard Configuration:

- Front door with safety glass
- Solid Side Panels with cylindrical locks and latches
- Solid Rear Panel with cylindrical locks
- Internal top sheet with 3 cable entries for 800 width, 1 cable entry for 600 width racks and fan cut-outs
- 2 Pairs of depth adjustable heavy duty 19" Mounting Rails
- 2 Pairs of Adjustable Feet
- Front Door with swing-handle single point lock
- Bottom sheet is not included



CERTIFIED



Front View



Front View Open



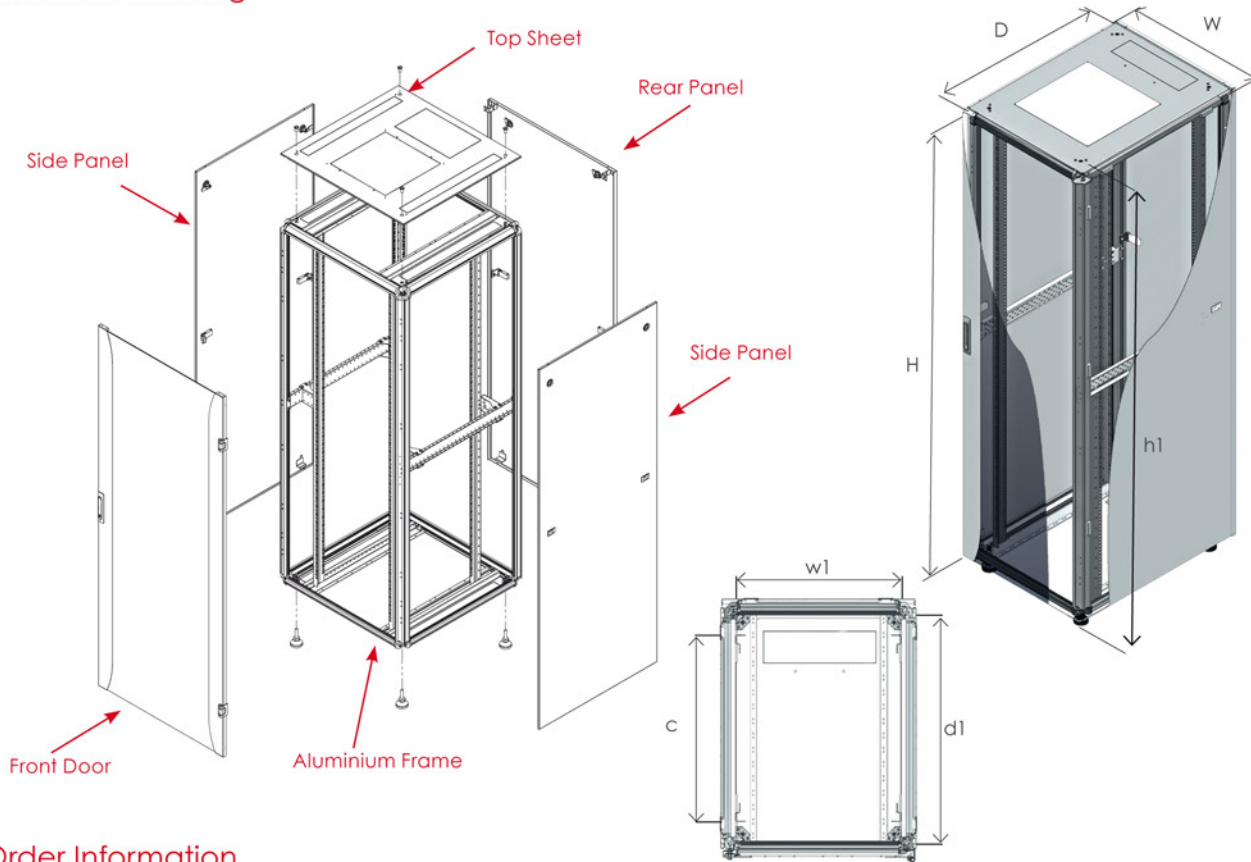
3/4 View



Side View

Inorax-AL Network Rack Cabinet

Technical Drawing

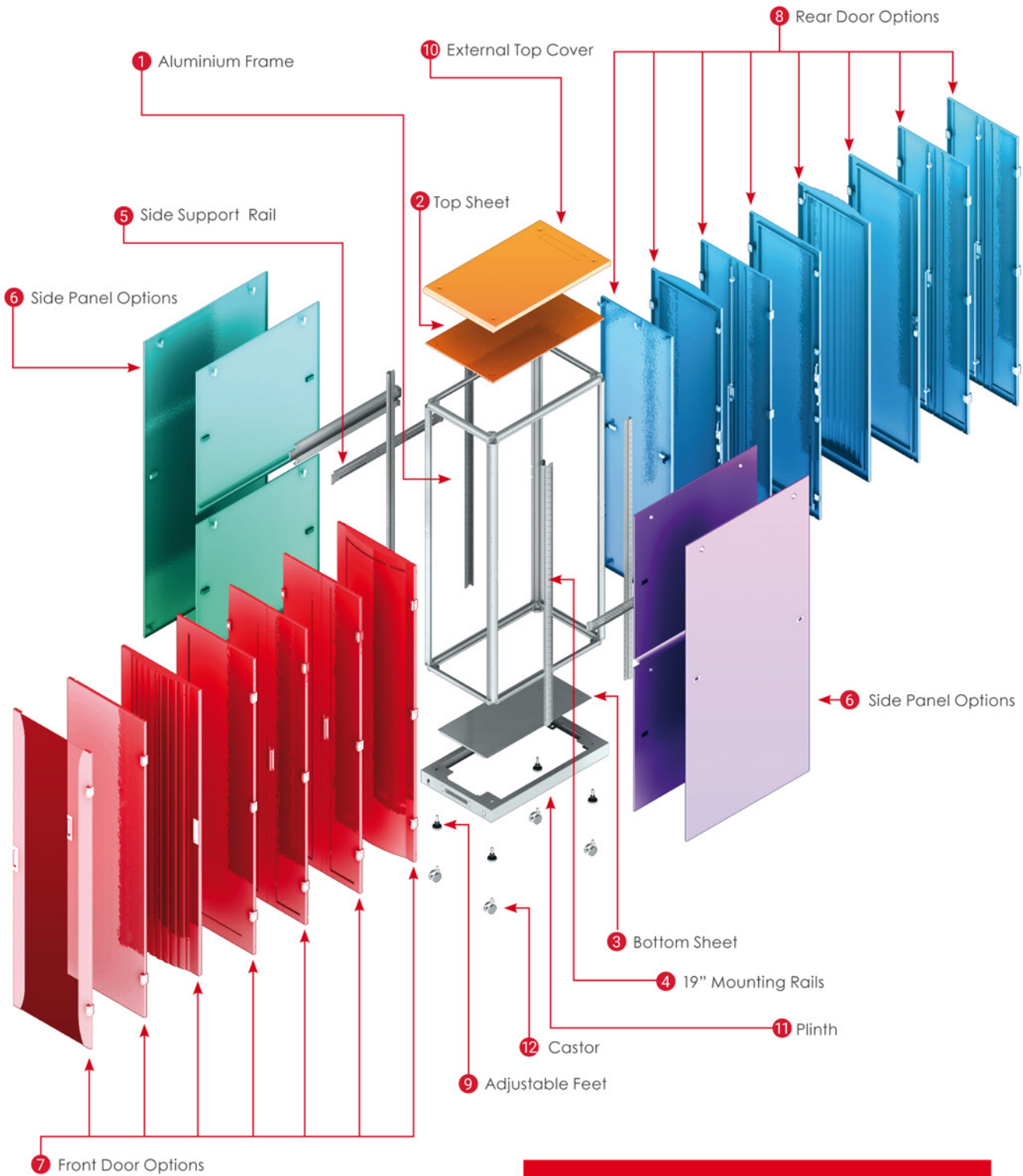


Order Information

Height U	Outer Width (W) mm	Outer Depth (D) mm	Outer Height (H) mm	Inner Width (w1) mm	Inner Depth (d1) mm	Inner Height (h1) mm	19" Rails Adjustable Depth Range (c)	Weight kg	Part No
26U	600	600	1322	503	550	1187	129-429	57	CPN-X-2666A
26U	600	800	1322	503	750	1187	129-629	74	CPN-X-2668A
26U	800	800	1322	703	750	1187	129-629	84	CPN-X-2688A
32U	600	600	1589	503	550	1454	129-429	67	CPN-X-3266A
32U	600	800	1589	503	750	1454	129-629	83	CPN-X-3268A
32U	800	800	1589	703	750	1454	129-629	95	CPN-X-3288A
36U	600	600	1767	503	550	1632	129-429	74	CPN-X-3666A
36U	600	800	1767	503	750	1632	129-629	88	CPN-X-3668A
36U	800	800	1767	703	750	1632	129-629	103	CPN-X-3688A
39U	800	800	1900	703	750	1765	129-629	108	CPN-X-3988A
42U	600	600	2033	503	550	1898	129-429	85	CPN-X-4266A
42U	600	800	2033	503	750	1898	129-629	97	CPN-X-4268A
42U	600	1000	2033	503	950	1898	129-829	103	CPN-X-4260A
42U	800	800	2033	703	750	1898	129-629	114	CPN-X-4288A
42U	800	1000	2033	703	950	1898	129-829	119	CPN-X-4280A
47U	600	600	2255	503	550	2120	129-429	93	CPN-X-4766A
47U	600	800	2255	503	750	2120	129-629	104	CPN-X-4768A
47U	600	1000	2255	503	950	2120	129-829	120	CPN-X-4760A
47U	800	800	2255	703	750	2120	129-629	124	CPN-X-4788A
47U	800	1000	2255	703	950	2120	129-829	130	CPN-X-4780A

X (Color code): 7:RAL 7035 Light Grey, 9:RAL 9005 Black

Components of Inorax-AL Rack Cabinets



- 1 - Aluminum Frame
- 2 - Top Sheet
- 3 - Bottom Sheet
- 4 - 19" Mounting Rails
- 5 - Side Support Rails
- 6 - Side Panel Options
- 7 - Front Door Options
- 8 - Rear Door Options
- 9 - Adjustable Feet
- 10 - External Top Cover
- 11 - Plinth
- 12 - Castor

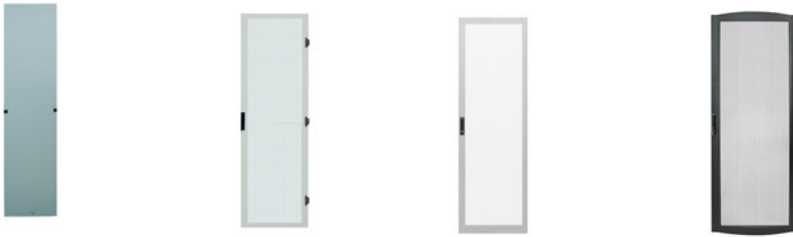
Inorax-AL Network Rack Cabinet



Page : 103-105



Page : 106-108



Page : 108-110



Page : 110-113



Page : 114-116

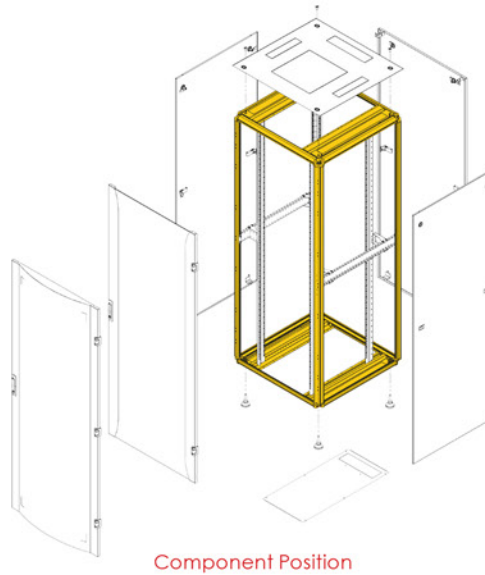
Inorax-AL Network Rack Cabinet

Components of Inorax-AL Rack Cabinets

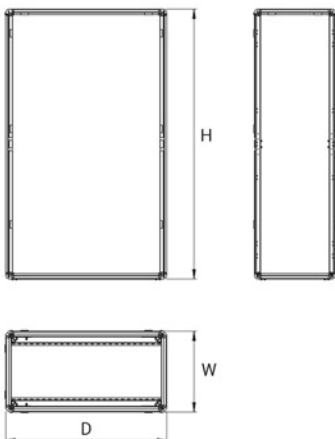
Aluminium Frame



Rack Frame



Component Position



Rack Frame Connection Detail

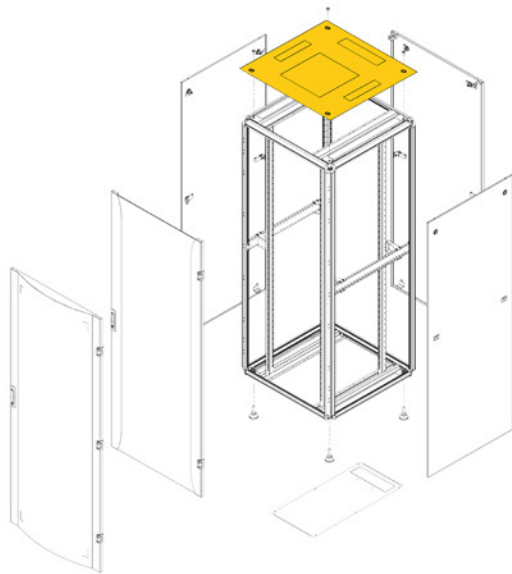
Aluminium Frame Options

Material	Anodized Aluminum Extrusion	Maximum Static Load	2000 kg
Finish	Anodic Oxidation (Eloxal)		

Height U	H (mm)	W (mm)	D (mm)	Weight kg	Part No
26U	1308,8	600	600	16,00	CPZ-X-26660-0100
26U	1308,8	600	800	17,28	CPZ-X-26680-0100
26U	1308,8	600	1000	18,66	CPZ-X-26600-0100
26U	1308,8	800	800	26,22	CPZ-X-26880-0100
32U	1575,5	600	600	16,40	CPZ-X-32660-0100
32U	1575,5	600	800	17,71	CPZ-X-32680-0100
32U	1575,5	800	800	26,60	CPZ-X-32880-0100
36U	1753,3	600	600	16,65	CPZ-X-36660-0100
36U	1753,3	600	800	17,98	CPZ-X-36680-0100
36U	1753,3	600	1000	19,42	CPZ-X-36600-0100
36U	1753,3	600	1200	20,97	CPZ-X-36620-0100
36U	1753,3	800	800	26,84	CPZ-X-36880-0100
39U	1886,6	800	800	26,96	CPZ-X-39880-0100
39U	1886,6	800	1000	29,93	CPZ-X-39800-0100
42U	2020	600	600	17,03	CPZ-X-42660-0100
42U	2020	600	800	18,39	CPZ-X-42680-0100
42U	2020	600	1000	19,86	CPZ-X-42600-0100
42U	2020	600	1070	20,65	CPZ-X-42610-0100
42U	2020	600	1200	21,45	CPZ-X-42620-0100
42U	2020	800	800	27,15	CPZ-X-42880-0100
42U	2020	800	1000	30,14	CPZ-X-42800-0100
42U	2020	800	1070	31,79	CPZ-X-42810-0100
42U	2020	800	1200	33,45	CPZ-X-42820-0100
47U	2242,25	600	600	17,33	CPZ-X-47660-0100
47U	2242,25	600	800	18,72	CPZ-X-47680-0100
47U	2242,25	600	1000	20,21	CPZ-X-47600-0100
47U	2242,25	600	1200	21,83	CPZ-X-47620-0100
47U	2242,25	800	800	27,46	CPZ-X-47880-0100
47U	2242,25	800	1000	30,48	CPZ-X-47800-0100
47U	2242,25	800	1200	33,83	CPZ-X-47820-0100

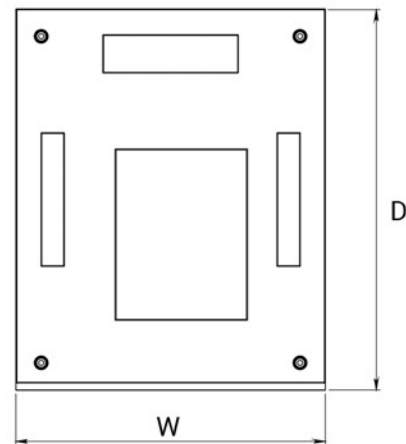
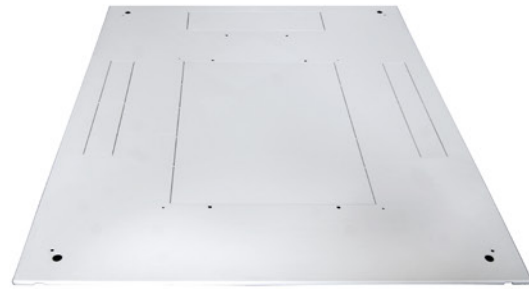
X (Color code): 7:RAL 7035 Light Grey, 9:RAL 9005 Black

Inorax-AL Network Rack Cabinet



Component Position

Top Sheet

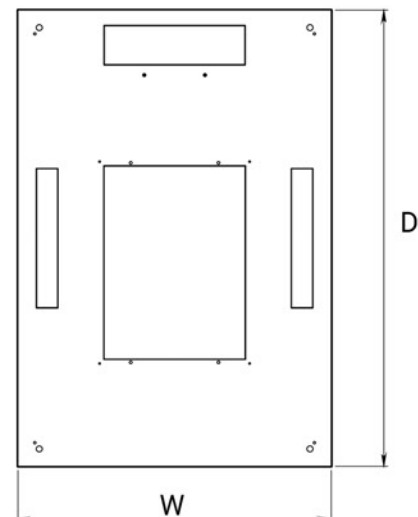


Top Sheet Options

Material	1.2 mm Steel	Color	RAL 7035 and RAL 9005
Finish	Electrostatic Powder Paint		

W (mm)	D (mm)	H (mm)	Weight kg	Part No
600	600	7	3,24	CPZ-X-YY660-0402
600	800	7	4,34	CPZ-X-YY680-0402
600	1000	7	5,82	CPZ-X-YY600-0402
600	1070	7	6,25	CPZ-X-YY670-0402
600	1200	7	7,80	CPZ-X-YY620-0402
800	800	7	5,76	CPZ-X-YY880-0402
800	1000	7	5,92	CPZ-X-YY800-0402
800	1070	7	6,39	CPZ-X-YY870-0402
800	1200	7	6,96	CPZ-X-YY820-0402

External Top Cover



External Top Cover Options

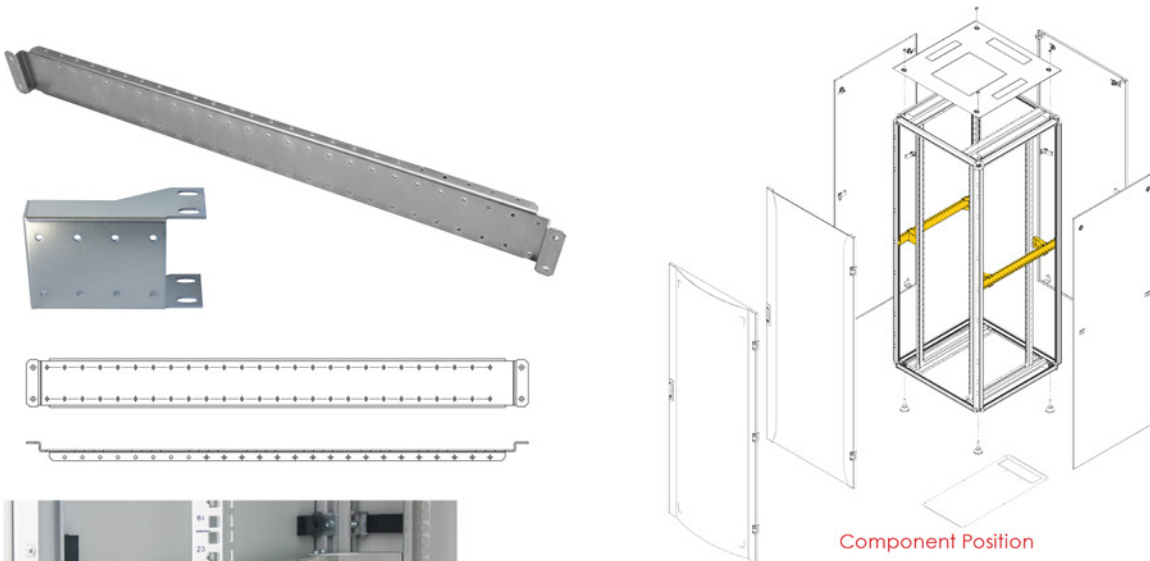
Material	1.2 mm Steel	Color	RAL 7035 and RAL 9005
Finish	Electrostatic Powder Paint		

W (mm)	D (mm)	H (mm)	Weight kg	Part No
600	600	30	4,49	CPZ-X-YY660-0404
600	800	30	5,76	CPZ-X-YY680-0404
600	1000	30	7,05	CPZ-X-YY600-0404
600	1070	30	7,82	CPZ-X-YY670-0404
600	1200	30	8,6	CPZ-X-YY620-0404
800	800	30	7,11	CPZ-X-YY880-0404
800	1000	30	9,12	CPZ-X-YY800-0404
800	1070	30	10,12	CPZ-X-YY870-0404
800	1200	30	11,12	CPZ-X-YY820-0404

X (Color code): 7:RAL 7035 Light Grey, 9:RAL 9005 Black

Inorax-AL Network Rack Cabinet

Side Support Rails



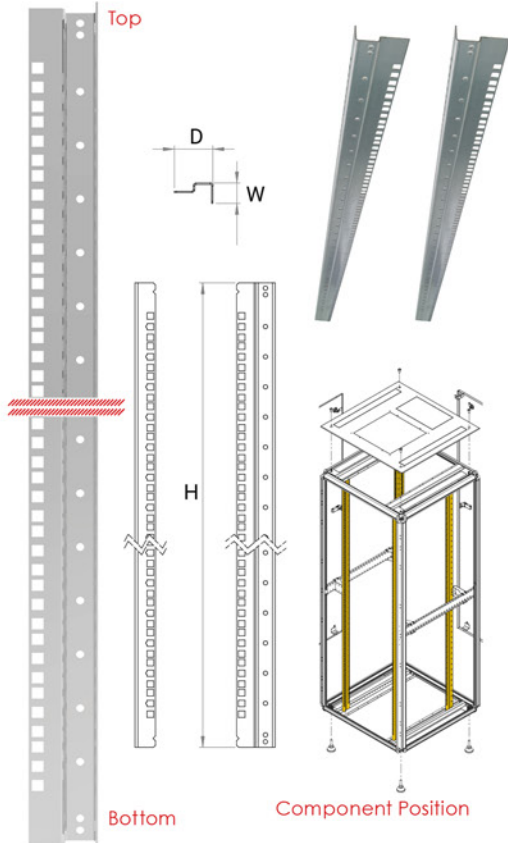
Side Support Rail Detail

Side Support Rail Options

Material	2 mm Steel	Finish	Zinc Plated
----------	------------	--------	-------------

Cabinet W (mm)	Cabinet D (mm)	Weight kg	Part No
600	600	0,75	CPZ-0-YY660-0700
600	800	0,80	CPZ-0-YY680-0700
600	1000	0,85	CPZ-0-YY600-0700
600	1070	0,87	CPZ-0-YY670-0700
600	1200	0,90	CPZ-0-YY620-0700
800	800	0,85	CPZ-0-YY880-0700
800	1000	0,92	CPZ-0-YY800-0700
800	1070	0,97	CPZ-0-YY870-0700
800	1200	1,02	CPZ-0-YY820-0700

19" Mounting Rails



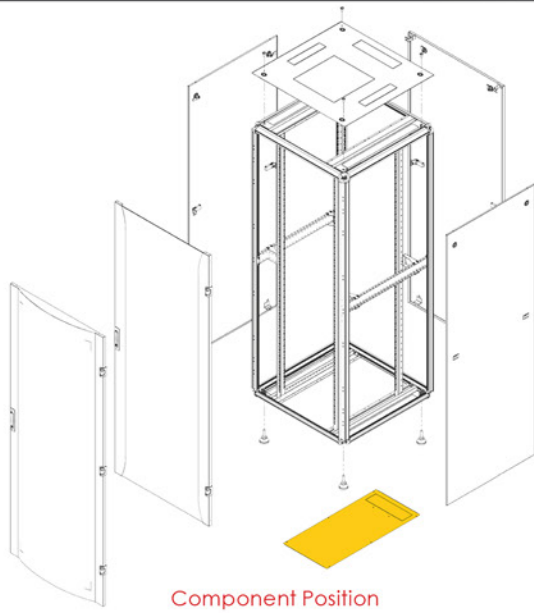
19" Mounting Rail Options

Material	2 mm Steel	Finish	Zinc-Plated
----------	------------	--------	-------------

H (U)	W (mm)	D (mm)	H (mm)	Weight kg	Part No
26U	33	52	1198	1,52	CPZ-0-26YY0-0600
32U	33	52	1464	1,85	CPZ-0-32YY0-0600
36U	33	52	1642	2,08	CPZ-0-36YY0-0600
39U	33	52	1776	2,25	CPZ-0-39YY0-0600
42U	33	52	1909	2,42	CPZ-0-42YY0-0600
47U	33	52	2131	2,7	CPZ-0-47YY0-0600

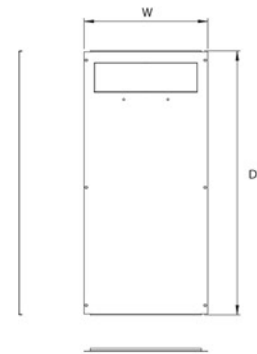
X (Color code): 7:RAL 7035 Light Grey, 9:RAL 9005 Black

Inorax-AL Network Rack Cabinet

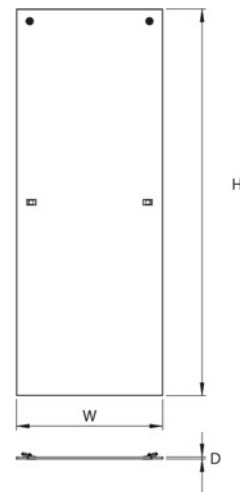


Component Position

Bottom Sheet



Rear Metal Solid Panel



Bottom Sheet Options

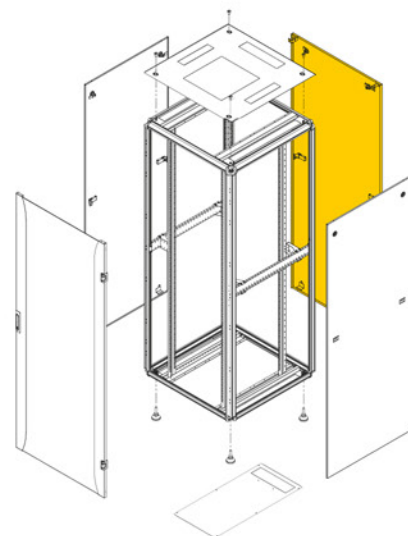
Material	1.2 mm Steel	Finish	Electrostatic Powder Paint
Color	RAL 7035 (Light Grey) and RAL 9005 (Black)		

W (mm)	D (mm)	H (mm)	Weight kg	Part No
600	600	5	1,84	CPZ-X-YY660-0403
600	800	5	2,45	CPZ-X-YY680-0403
600	1000	5	3,06	CPZ-X-YY600-0403
600	1070	5	3,37	CPZ-X-YY670-0403
600	1200	5	3,67	CPZ-X-YY620-0403
800	800	5	2,45	CPZ-X-YY880-0403
800	1000	5	3,06	CPZ-X-YY800-0403
800	1070	5	3,37	CPZ-X-YY870-0403
800	1200	5	3,67	CPZ-X-YY820-0403

Rear Metal Solid Panel Options

Material	1.2 mm Steel	Finish	Electrostatic Powder Paint
Color	RAL 7035 (Light Grey) and RAL 9005 (Black)		

H (U)	W (mm)	D (mm)	H (mm)	Weight kg	Part No
26U	600	23	1264	8,40	CPZ-X-266Y0-0901
26U	800	23	1264	11,59	CPZ-X-268Y0-0901
32U	600	23	1531	10,09	CPZ-X-326Y0-0901
32U	800	23	1531	13,92	CPZ-X-328Y0-0901
36U	600	23	1709	11,21	CPZ-X-366Y0-0901
36U	800	23	1709	15,47	CPZ-X-368Y0-0901
39U	800	23	1842	16,62	CPZ-X-398Y0-0901
42U	600	23	1975	12,89	CPZ-X-426Y0-0901
42U	800	23	1975	17,79	CPZ-X-428Y0-0901
47U	600	23	2198	14,29	CPZ-X-476Y0-0901
47U	800	23	2198	19,72	CPZ-X-478Y0-0901

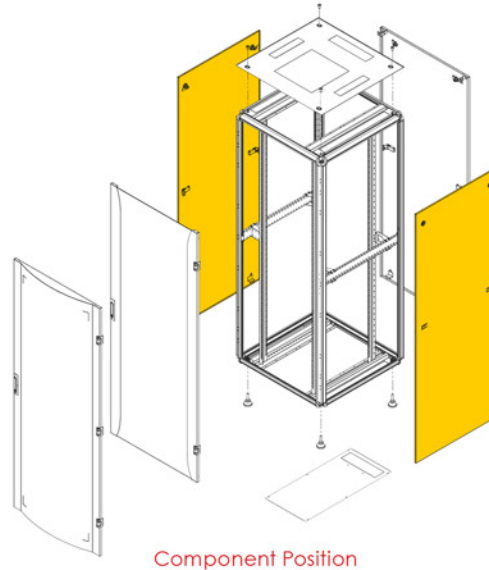
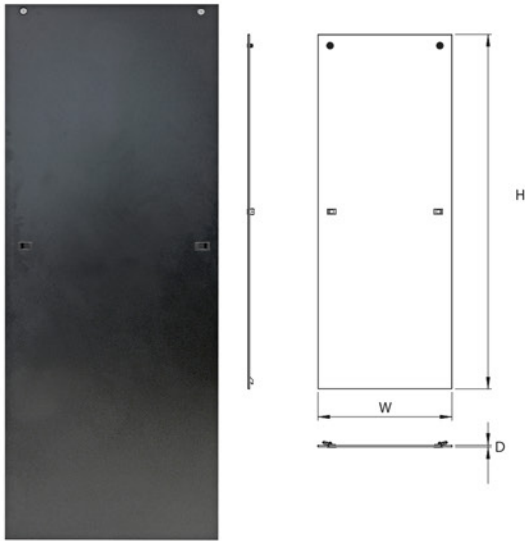


Component Position

X (Color code): 7:RAL 7035 Light Grey, 9:RAL 9005 Black

Inorax-AL Network Rack Cabinet

Side Panel



Component Position

Split Side Panel



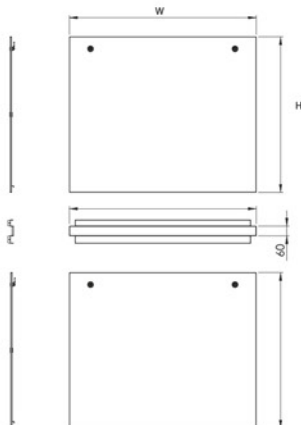
Side Panel Options

Material	1,2 mm Steel	Color	RAL 7035 and RAL 9005		
Finish	Electrostatic Powder Paint				
H (U)	W (mm)	D (mm)	H (mm)	Weight kg	Part No
26U	600	10	1264	7,11	CPZ-X-26Y60-0501
26U	800	10	1264	9,46	CPZ-X-26Y80-0501
26U	1000	10	1264	12,58	CPZ-X-26Y00-0501
32U	600	10	1531	8,53	CPZ-X-32Y60-0501
32U	800	10	1531	11,35	CPZ-X-32Y80-0501
36U	600	10	1709	9,49	CPZ-X-36Y60-0501
36U	800	10	1709	12,62	CPZ-X-36Y80-0501
39U	800	10	1842	13,57	CPZ-X-39Y80-0501
42U	600	10	1975	10,93	CPZ-X-42Y60-0501
42U	800	10	1975	14,54	CPZ-X-42Y80-0501
47U	600	10	2198	12,13	CPZ-X-47Y60-0501
47U	800	10	2198	16,13	CPZ-X-47Y80-0501

Split Side Panel Options

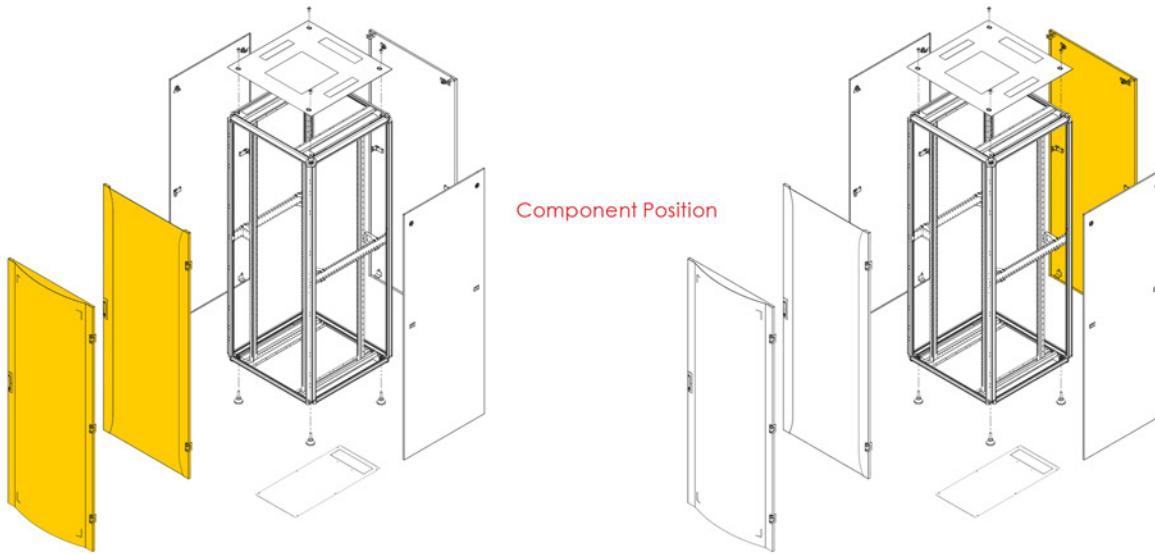
Material	1,2 mm Steel	Finish	Electrostatic Powder Paint		
Color	RAL 7035 (Light Grey) and RAL 9005 (Black)				
H (U)	W (mm)	D (mm)	H (mm)	Weight kg	Part No
36U	1000	10	1709	16,79	CPZ-X-36Y00-0503
36U	1200	10	1709	22,33	CPZ-X-36Y20-0503
39U	1000	10	1842	18,06	CPZ-X-39Y00-0503
42U	1000	10	1975	19,33	CPZ-X-42Y00-0503
42U	1070	10	1975	23,67	CPZ-X-42Y70-0503
42U	1200	10	1975	25,71	CPZ-X-42Y20-0503
47U	1000	10	2198	21,46	CPZ-X-47Y00-0503
47U	1070	10	2198	25,00	CPZ-X-47Y70-0503
47U	1200	10	2198	28,54	CPZ-X-47Y20-0503

X (Color code): 7:RAL 7035 Light Grey, 9:RAL 9005 Black



Inorax-AL Network Rack Cabinet

Single Door Options



Glass Door Options

Material	1.2 mm Steel, 4 mm Tempered Glass, tinted on left and right sides
Finish	Electrostatic Powder Paint
Color	RAL 7035 (Light Grey) and RAL 9005 (Black)

H (U)	W (mm)	D (mm)	H (mm)	Weight kg	Part No
26U	600	19	1264	9,41	CPZ-X-266Y0-0903
26U	800	19	1264	11,86	CPZ-X-268Y0-0903
32U	600	19	1531	11,29	CPZ-X-326Y0-0903
32U	800	19	1531	14,23	CPZ-X-328Y0-0903
36U	600	19	1709	12,55	CPZ-X-366Y0-0903
36U	800	19	1709	15,81	CPZ-X-368Y0-0903
39U	800	19	1842	17,00	CPZ-X-398Y0-0903
42U	600	19	1975	14,43	CPZ-X-426Y0-0903
42U	800	19	1975	18,18	CPZ-X-428Y0-0903
47U	600	19	2198	16,00	CPZ-X-476Y0-0903
47U	800	19	2198	20,16	CPZ-X-478Y0-0903

Glass Door Supported By Metal Brackets

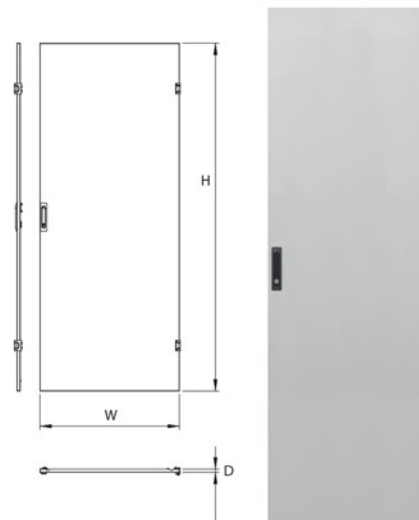


Metal Solid Door Options

Material	1.2 mm Steel	Finish	Electrostatic Powder Paint
Color	RAL 7035 (Light Grey) and RAL 9005 (Black)		

H (U)	W (mm)	D (mm)	H (mm)	Weight kg	Part No
26U	600	10	1264	11,08	CPZ-X-266Y0-0902
26U	800	10	1264	13,74	CPZ-X-268Y0-0902
32U	600	10	1531	13,15	CPZ-X-326Y0-0902
32U	800	10	1531	16,31	CPZ-X-328Y0-0902
36U	600	10	1709	14,50	CPZ-X-366Y0-0902
36U	800	10	1709	17,98	CPZ-X-368Y0-0902
39U	800	10	1842	19,24	CPZ-X-398Y0-0902
42U	600	10	1975	16,54	CPZ-X-426Y0-0902
42U	800	10	1975	20,51	CPZ-X-428Y0-0902
47U	600	10	2198	18,24	CPZ-X-476Y0-0902
47U	800	10	2198	22,62	CPZ-X-478Y0-0902

Metal Solid Door



X (Color code): 7:RAL 7035 Light Grey, 9:RAL 9005 Black

Inorax-AL Network Rack Cabinet

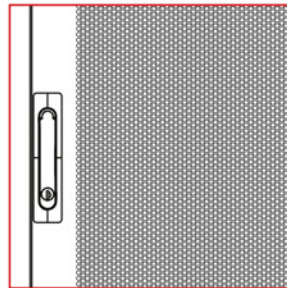
Perforated Flat Door



Perforated Flat Door Options

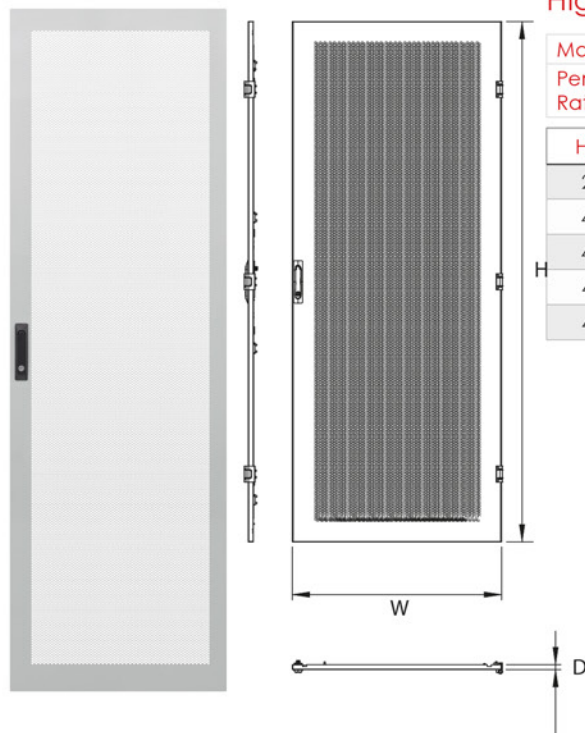
Material	1.2 mm Steel	Finish	Electrostatic Powder Paint
Perforation Rate	65%	Color	RAL 7035 and RAL 9005

H (U)	W (mm)	D (mm)	H (mm)	Weight kg	Part No
26U	600	19	1264	8,21	CPZ-X-266Y0-0904
36U	600	19	1709	11,35	CPZ-X-366Y0-0904
39U	800	19	1842	15,50	CPZ-X-398Y0-0904
42U	600	19	1975	12,23	CPZ-X-426Y0-0904
42U	800	19	1975	16,08	CPZ-X-428Y0-0904
47U	600	19	2198	14,90	CPZ-X-476Y0-0904
47U	800	19	2198	18,86	CPZ-X-478Y0-0904



Perforation Detail

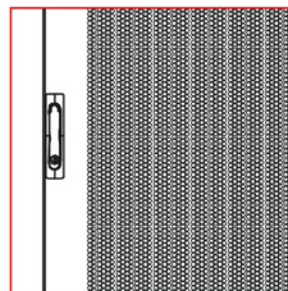
High Perforation Rated Flat Door



High Perforation Rated Flat Door Options

Material	1.2 mm Steel	Finish	Electrostatic Powder Paint
Perforation Rate	80%	Color	RAL 7035 and RAL 9005

H (U)	W (mm)	D (mm)	H (mm)	Weight kg	Part No
26U	600	19	1264	7,91	CPZ-X-266Y0-0909
42U	600	19	1975	11,93	CPZ-X-426Y0-0909
42U	800	19	1975	15,78	CPZ-X-428Y0-0909
47U	600	19	2198	14,60	CPZ-X-476Y0-0909
47U	800	19	2198	18,56	CPZ-X-478Y0-0909



Perforation Detail

X (Color code): 7:RAL 7035 Light Grey, 9:RAL 9005 Black

Inorax-AL Network Rack Cabinet

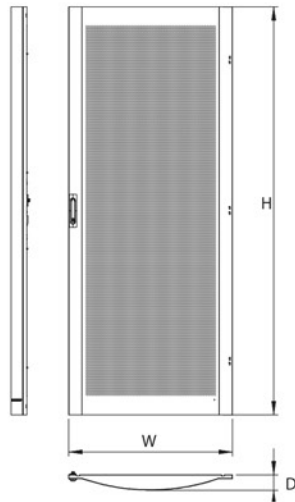
Perforated Curved Door Options

Material	1.2 mm Steel	Finish	Electrostatic Powder Paint
Perforation Rate	67%	Color	RAL 7035 and RAL 9005

H (U)	W (mm)	D (mm)	H (mm)	Weight kg	Part No
26U	600	57	1264	9,41	CPZ-X-266Y0-0905
36U	600	57	1709	12,55	CPZ-X-366Y0-0905
39U	800	76	1842	17,00	CPZ-X-398Y0-0905
42U	600	57	1975	14,43	CPZ-X-426Y0-0905
42U	800	76	1975	18,18	CPZ-X-428Y0-0905
47U	600	57	2198	16,00	CPZ-X-476Y0-0905
47U	800	76	2198	20,16	CPZ-X-478Y0-0905



Perforation Detail



Perforated Curved Door



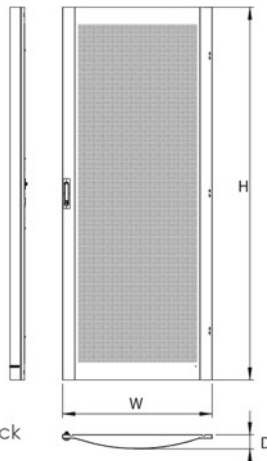
High Perforation Rated Curved Door Options

Material	1.2 mm Steel	Finish	Electrostatic Powder Paint
Perforation Rate	82%	Color	RAL 7035 and RAL 9005

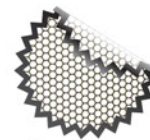
H (U)	W (mm)	D (mm)	H (mm)	Weight kg	Part No
26U	600	57	1264	9,10	CPZ-X-266Y0-0910
42U	600	57	1975	14,13	CPZ-X-426Y0-0910
42U	800	76	1975	17,88	CPZ-X-428Y0-0910
47U	600	57	2198	15,70	CPZ-X-476Y0-0910
47U	800	76	2198	19,86	CPZ-X-478Y0-0910



Perforation Detail



High Perforation Rated Curved Door

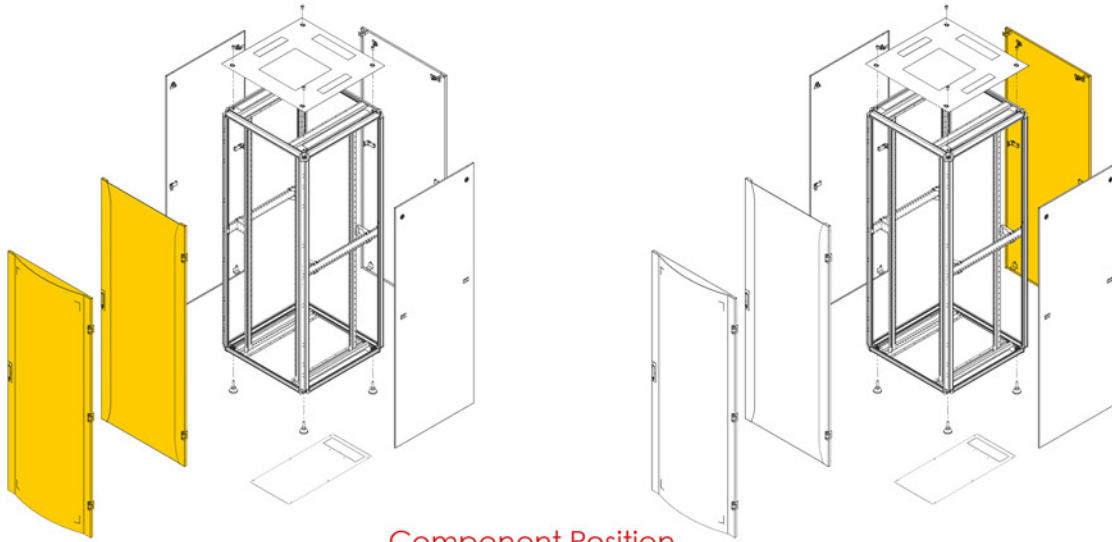


Formed Pattern Perforation with 82%

X (Color code): 7:RAL 7035 Light Grey, 9:RAL 9005 Black

Inorax-AL Network Rack Cabinet

Double Door Options



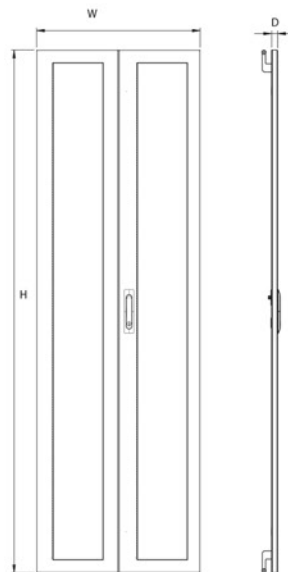
Component Position

Double Glass Door



Double Glass Door Options

Material	1.2 mm Steel, 4 mm Tempered Glass				
Finish	Electrostatic Powder Paint				
Color	RAL 7035 (Light Grey) and RAL 9005 (Black)				
H (U)	W (mm)	D (mm)	H (mm)	Weight kg	Part No
42U	800	19	1975	20,66	CPZ-X-428Y0-0907
47U	800	19	2198	22,70	CPZ-X-478Y0-0907



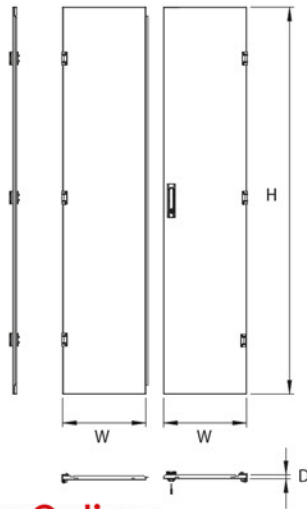
X (Color code): 7:RAL 7035 Light Grey, 9:RAL 9005 Black

Inorax-AL Network Rack Cabinet

Double Metal Solid Door Options

Material	1.2 mm Steel	Finish	Electrostatic Powder Paint
Color	RAL 7035 and RAL 9005		

H (U)	W (mm)	D (mm)	H (mm)	Weight kg	Part No
42U	800	19	1975	20,81	CPZ-X-428Y0-0906
47U	800	19	2198	23,12	CPZ-X-478Y0-0906



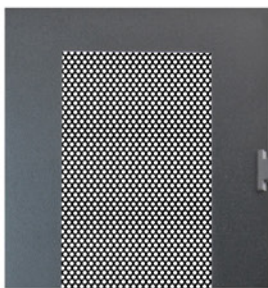
Double Metal Solid Door



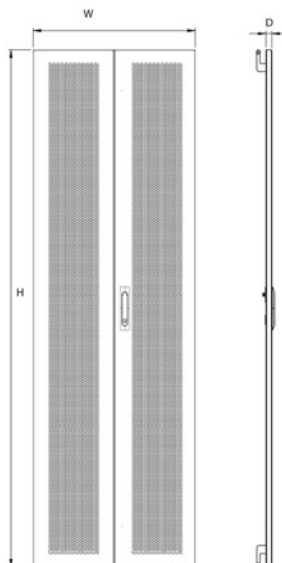
Perforated Double Flat Door Options

Material	1.2 mm Steel	Finish	Electrostatic Powder Paint
Perforation Rate	65%	Color	RAL 7035 and RAL 9005

H (U)	W (mm)	D (mm)	H (mm)	Weight kg	Part No
26U	600	19	1264	8,38	CPZ-X-266Y0-0908
36U	600	19	1709	10,14	CPZ-X-366Y0-0908
39U	800	19	1842	13,53	CPZ-X-398Y0-0908
42U	600	19	1975	11,45	CPZ-X-426Y0-0908
42U	800	19	1975	14,40	CPZ-X-428Y0-0908
47U	600	19	2198	12,57	CPZ-X-476Y0-0908
47U	800	19	2198	15,74	CPZ-X-478Y0-0908



Perforation Detail



Perforated Double Flat Door



X (Color code): 7:RAL 7035 Light Grey, 9:RAL 9005 Black

Inorax-AL Network Rack Cabinet

High Perforation Rated Double Flat Door

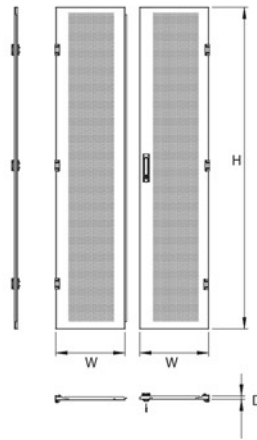


Formed Pattern
Perforation with 80%

High Perforation Rated Double Flat Door Options

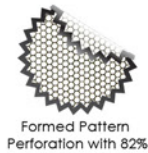
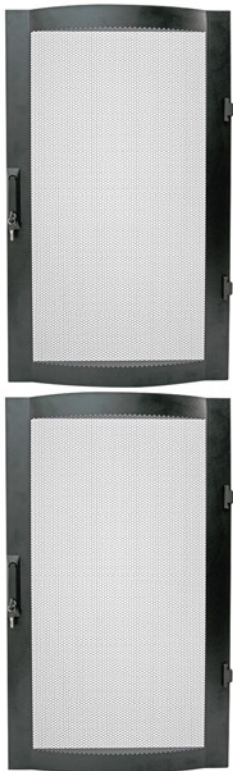
Material	1.2 mm Steel	Finish	Electrostatic Powder Paint
Perforation Rate	80%	Color	RAL 7035 and RAL 9005

H (U)	W (mm)	D (mm)	H (mm)	Weight kg	Part No
26U	600	19	1264	8,08	CPZ-X-266Y0-0911
36U	600	19	1709	9,84	CPZ-X-366Y0-0911
39U	800	19	1842	13,23	CPZ-X-398Y0-0911
42U	600	19	1975	11,15	CPZ-X-426Y0-0911
42U	800	19	1975	14,10	CPZ-X-428Y0-0911
47U	600	19	2198	12,27	CPZ-X-476Y0-0911
47U	800	19	2198	15,44	CPZ-X-478Y0-0911



Perforation Detail

High Perforation Rated Curved Door for Colocation Cabinets

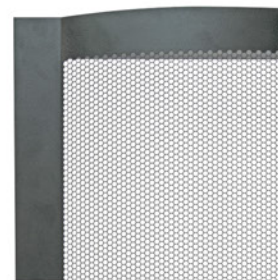
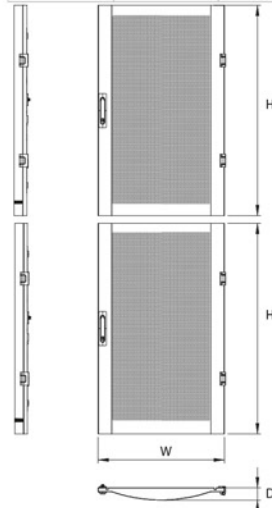


Formed Pattern
Perforation with 82%

High Perforation Rated Curved Door for Colocation Cabinet Options

Material	1.2 mm Steel	Finish	Electrostatic Powder Paint
Perforation Rate	82%	Color	RAL 7035 and RAL 9005

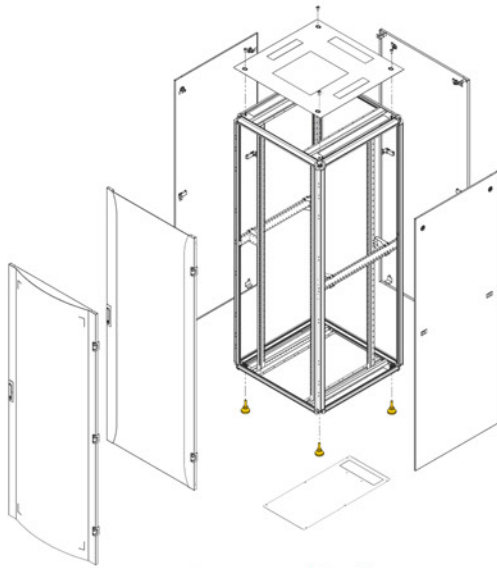
H (U)	W (mm)	D (mm)	H (mm)	Weight kg	Part No
21U+21U	600	57	1975	10,20	CPZ-X-426Y0-0912
21U+21U	800	76	1975	11,32	CPZ-X-428Y0-0912



Perforation Detail

X (Color code): 7:RAL 7035 Light Grey, 9:RAL 9005 Black

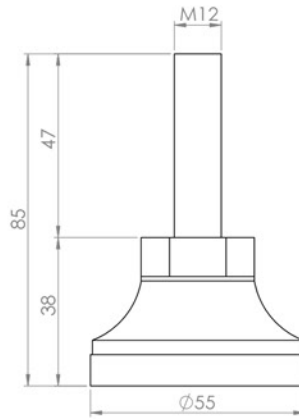
Inorax-AL Network Rack Cabinet



Component Position

Feet Options

Adjustable Feet



Adjustable Feet Options

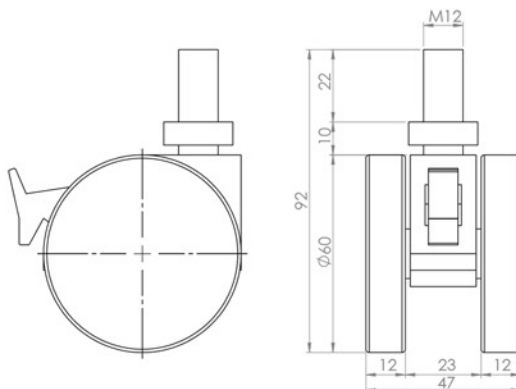
Material	Steel and Plastic ABS	Finish	Zinc Plated
Packaging	4 pieces in a box		
Maximum Static Load	Set Weight kg	Part No	
600 kg / piece	0.35	CCA-0-7014	

Castor Set



Castor Set Options

Material	Steel and Plastic ABS	Finish	Zinc Plated
Packaging	2 pieces with stopper and 2 pieces without Stopper in a box		
Maximum Static Load	Set Weight kg	Part No	
75 kg / piece	0.77	CCA-0-7015	

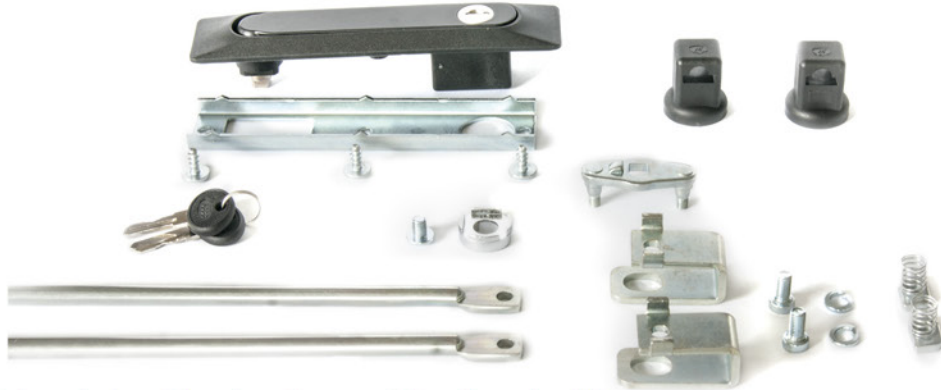


X (Color code): 7:RAL 7035 Light Grey, 9:RAL 9005 Black

Inorax-AL Network Rack Cabinet

Locking Device Systems Multi Point Lock for Double Doors

Material	Polyamide, Steel
Packaging	1 piece in a box
Part No	CPZ-0-YYYY0-1005



Four Point Lock for Single Curved Perforated Door

Material	Polyamide, Steel
Packaging	1 piece in a box
Part No	CPZ-0-YYYY0-1004



Three Point Lock for Single Perforated Door

Material	Polyamide, Steel
Packaging	1 piece in a box
Part No	CPZ-0-YYYY0-1006



Inorax-AL Network Rack Cabinet

Single Point Lock



Material	Polyamide
Packaging	1 piece in a box
Part No	CPZ-0-YYYY0-1003

Cylindrical Lock for Side Panel



Material	Zamak, Steel
Packaging	1 piece in a box
Part No	CPZ-0-YYYY0-1001

Cylindrical Lock for Rear Metal Solid Panel



Material	Zamak, Steel
Packaging	1 piece in a box
Part No	CPZ-0-YYYY0-1002

Inorax-AL Server Rack Cabinet



Inorax-AL Server Rack Cabinet

The ultimate server rack cabinet system ever developed for complex Data Center environments. inorax-AL server rack cabinet system is the ultimate solution designed and engineered for demanding Data Center environments. It is designed to house all servers manufactured by major brands including HP, Dell, Sun, Cisco, Juniper, IBM, Compaq to name but a few. To achieve optimum versatility within the server rack, users can set multiple depths throughout the cabinet by adjustable 19" mounting rails mounted on heavy duty side supports. Horizontally divided side panels provide ease of access and convenient post-installation maintenance. Optional % 80 perforations on front and rear doors enable optimum airflow within the rack cabinet and industry leading static load carrying capacity of the aluminum extruded frame satisfies the most of all standards specified for Tier-4 Data Center. Optional cable tray channels, can be fitted on top of the rack, provide perfect cable routing eliminating the need for raised floor systems. Flat-pack option enables savings up to 60% in the transport cost and warehouse space.

Technical Features

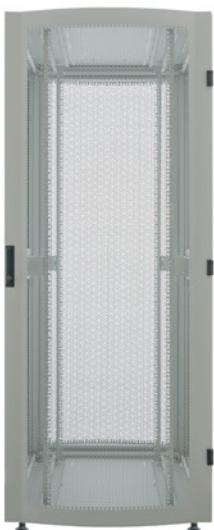
Material	Frame : Anodized aluminium extrusion profiles Other parts : 1,2 and 2 mm steel
Color	RAL 7035 or RAL 9005
Compliance	RoHS, UL Certified
Packaging	Assembled or unassembled
Maximum Static Load	Up to 2000 kg. (in 600x600 mm)

Standard Configuration:

- Curved perforated front and rear doors, Free Air Ratio (FAR): %67
- Front & rear doors with swing handle Multi point-espagnolette
- Split side panels
- Bottom sheet with 3 cable entries for 800 width,
1 cable entry for 600 width racks
- Internal top sheet with 3 cable entries for 800 width,
1 cable entry for 600 width racks and fan cut-outs
- 2 Pairs of depth adjustable heavy duty 19" Mounting Rails
- 2 Pairs of Adjustable Feet



CERTIFIED



Front View



Front View Open



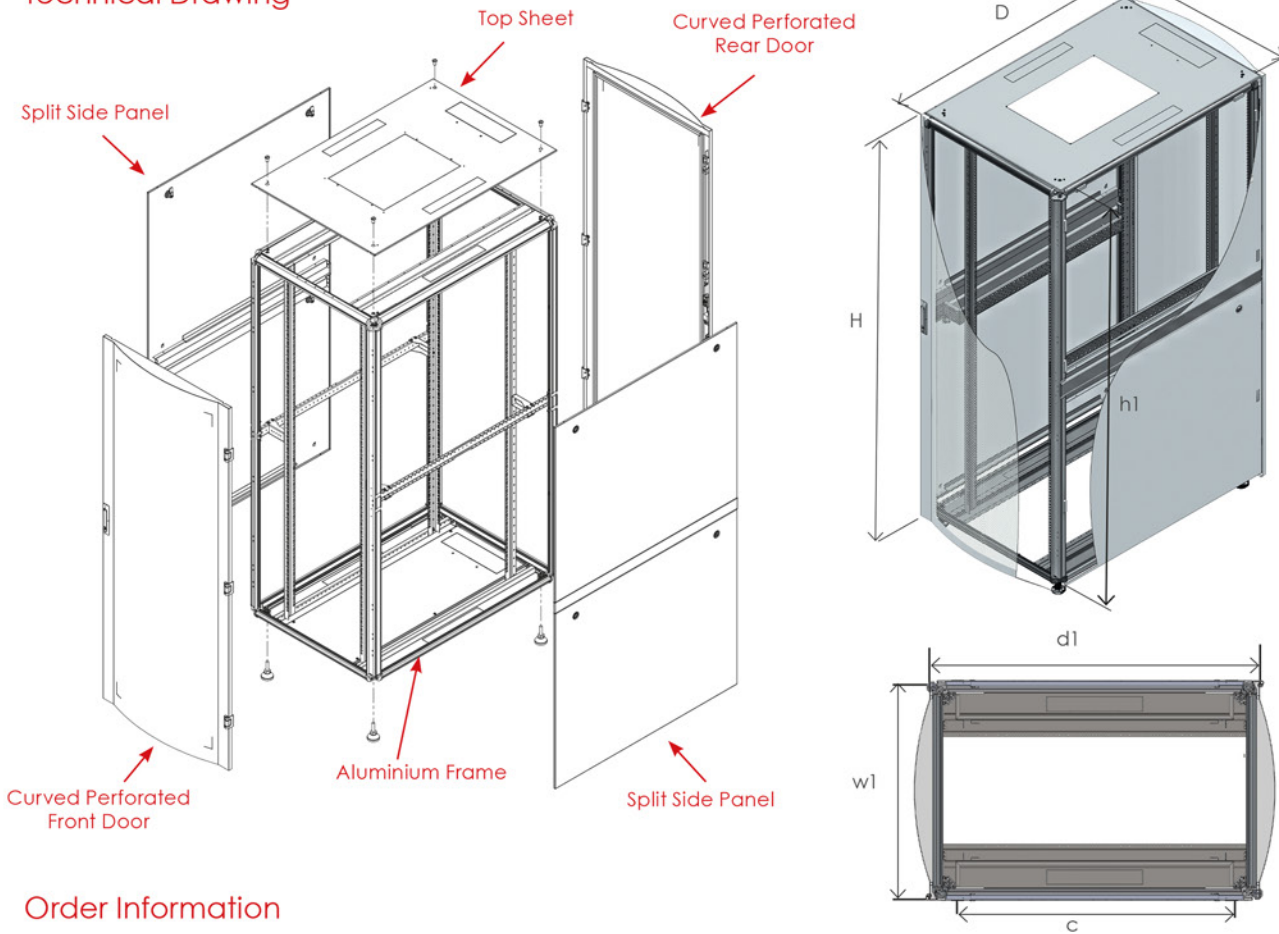
3/4 View



Side View

Inorax-AL Server Rack Cabinet

Technical Drawing

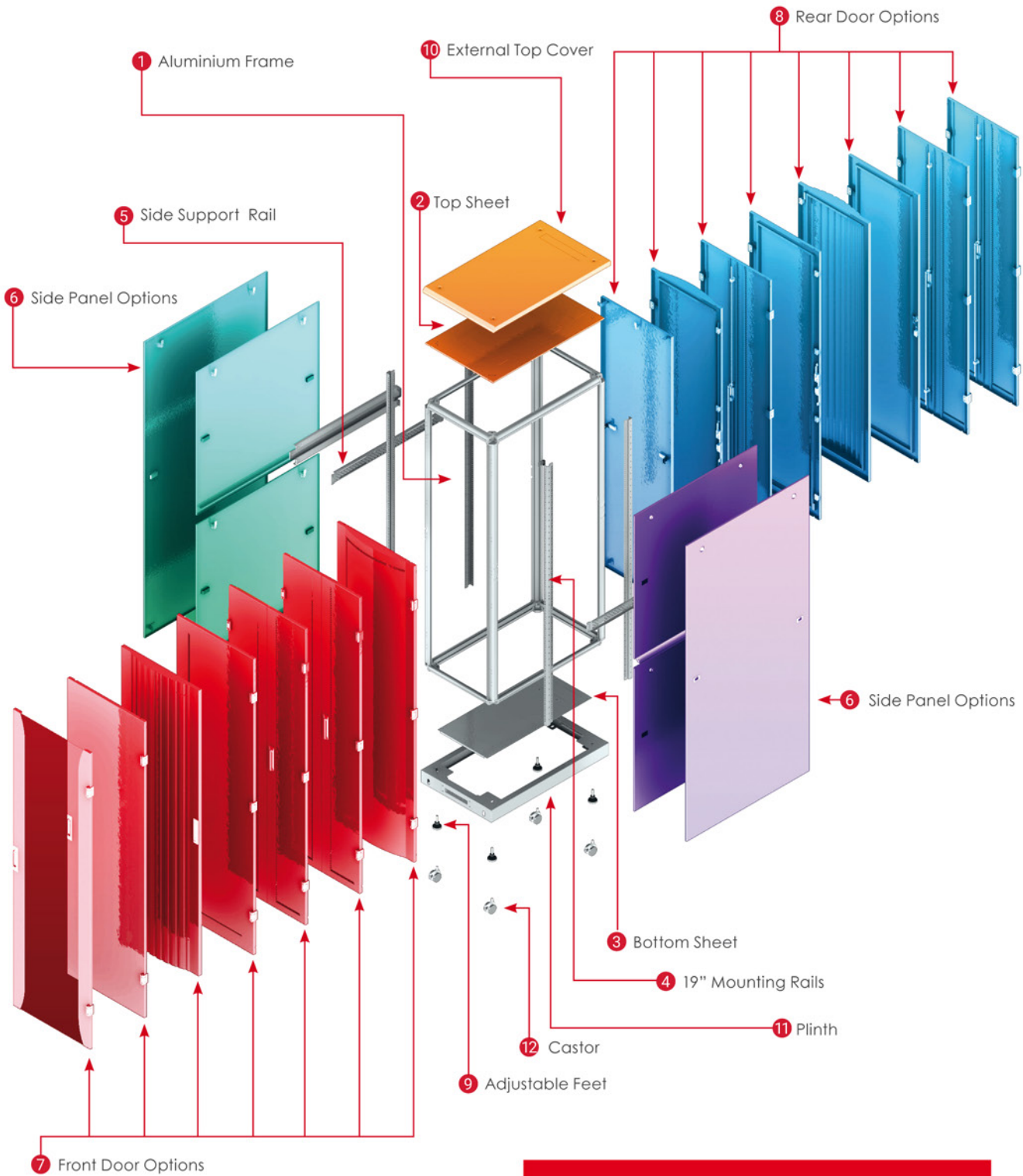


Order Information

Height U	Outer Width (W) mm	Outer Depth (D) mm	Outer Height (H) mm	Inner Width (w1) mm	Inner Depth (d1) mm	Inner Height (h1) mm	19" Rails Adjustable Depth Range (c)	Weight kg	Part No
26U	600	1000	1322	503	950	1187	129 - 829	75,5	CPS-X-2660A
26U	600	1200	1322	503	1150	1187	129 - 1029	95,6	CPS-X-2662A
36U	600	1000	1767	503	950	1632	129 - 829	95,0	CPS-X-3660A
36U	600	1200	1767	503	1150	1632	129 - 1029	114,0	CPS-X-3662A
39U	800	1000	1900	703	950	1765	129 - 829	111,5	CPS-X-3980A
42U	600	1000	2033	503	950	1898	129 - 829	106,5	CPS-X-4260A
42U	600	1070	2033	503	1020	1898	129-899	115,6	CPS-X-4267A
42U	600	1200	2033	503	1150	1898	129-1029	124,8	CPS-X-4262A
42U	800	1000	2033	703	950	1898	129-829	117,3	CPS-X-4280A
42U	800	1070	2033	703	1020	1898	129-899	126,3	CPS-X-4287A
42U	800	1200	2033	703	1150	1898	129-1029	135,4	CPS-X-4282A
47U	600	1000	2255	503	950	2120	129-829	116,2	CPS-X-4760A
47U	600	1070	2255	503	1020	2120	129-899	125,0	CPS-X-4767A
47U	600	1200	2255	503	1150	2120	129-1029	134,0	CPS-X-4762A
47U	800	1000	2255	703	950	2120	129-829	126,7	CPS-X-4780A
47U	800	1070	2255	703	1020	2120	129-899	135,5	CPS-X-4787A
47U	800	1200	2255	703	1150	2120	129-1029	144,3	CPS-X-4782A

X (Color code): 7:RAL 7035 Light Grey, 9:RAL 9005 Black

Components of Inorax-AL Rack Cabinets



- | | |
|------------------------|-------------------------|
| 1 - Aluminum Frame | 8 - Rear Door Options |
| 2 - Top Sheet | 9 - Adjustable Feet |
| 3 - Bottom Sheet | 10 - External Top Cover |
| 4 - 19" Mounting Rails | 11 - Plinth |
| 5 - Side Support Rails | 12 - Castor |
| 6 - Side Panel Options | |
| 7 - Front Door Options | |

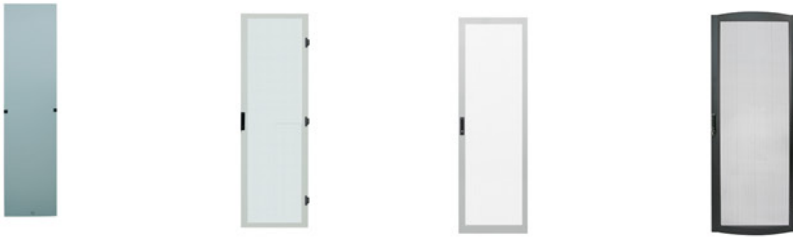
Inorax-AL Network Rack Cabinet



Page : 103-105



Page : 106-108



Page : 108-110



Page : 110-113



Page : 114-116

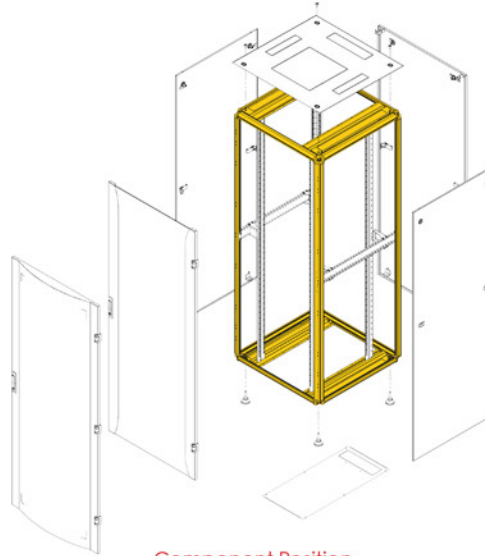
Inorax-AL Network Rack Cabinet

Components of Inorax-AL Rack Cabinets

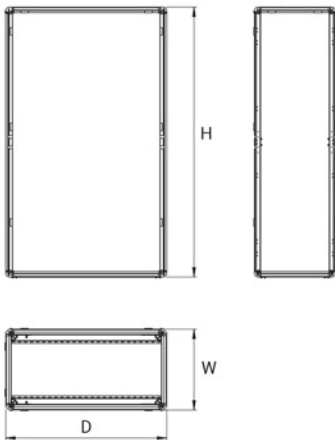
Aluminium Frame



Rack Frame



Component Position



Rack Frame Connection Detail

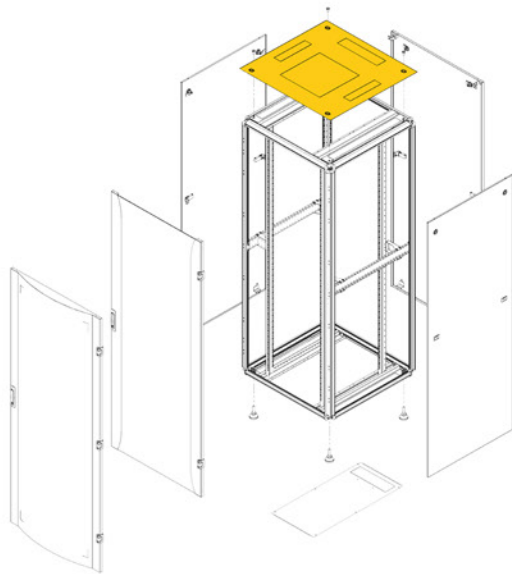
Aluminium Frame Options

Material	Anodized Aluminum Extrusion	Maximum Static Load	2000 kg
Finish	Anodic Oxidation (Eloxal)		

Height U	H (mm)	W (mm)	D (mm)	Weight kg	Part No
26U	1308,8	600	600	16,00	CPZ-X-26660-0100
26U	1308,8	600	800	17,28	CPZ-X-26680-0100
26U	1308,8	600	1000	18,66	CPZ-X-26600-0100
26U	1308,8	800	800	26,22	CPZ-X-26880-0100
32U	1575,5	600	600	16,40	CPZ-X-32660-0100
32U	1575,5	600	800	17,71	CPZ-X-32680-0100
32U	1575,5	800	800	26,60	CPZ-X-32880-0100
36U	1753,3	600	600	16,65	CPZ-X-36660-0100
36U	1753,3	600	800	17,98	CPZ-X-36680-0100
36U	1753,3	600	1000	19,42	CPZ-X-36600-0100
36U	1753,3	600	1200	20,97	CPZ-X-36620-0100
36U	1753,3	800	800	26,84	CPZ-X-36880-0100
39U	1886,6	800	800	26,96	CPZ-X-39880-0100
39U	1886,6	800	1000	29,93	CPZ-X-39800-0100
42U	2020	600	600	17,03	CPZ-X-42660-0100
42U	2020	600	800	18,39	CPZ-X-42680-0100
42U	2020	600	1000	19,86	CPZ-X-42600-0100
42U	2020	600	1070	20,65	CPZ-X-42610-0100
42U	2020	600	1200	21,45	CPZ-X-42620-0100
42U	2020	800	800	27,15	CPZ-X-42880-0100
42U	2020	800	1000	30,14	CPZ-X-42800-0100
42U	2020	800	1070	31,79	CPZ-X-42810-0100
42U	2020	800	1200	33,45	CPZ-X-42820-0100
47U	2242,25	600	600	17,33	CPZ-X-47660-0100
47U	2242,25	600	800	18,72	CPZ-X-47680-0100
47U	2242,25	600	1000	20,21	CPZ-X-47600-0100
47U	2242,25	600	1200	21,83	CPZ-X-47620-0100
47U	2242,25	800	800	27,46	CPZ-X-47880-0100
47U	2242,25	800	1000	30,48	CPZ-X-47800-0100
47U	2242,25	800	1200	33,83	CPZ-X-47820-0100

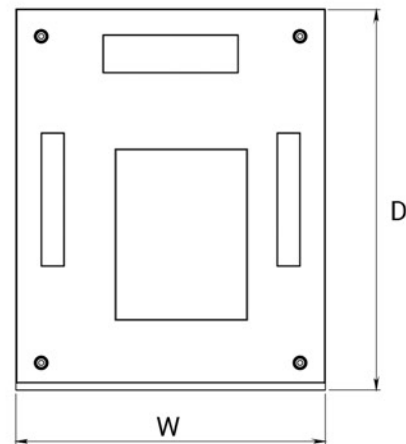
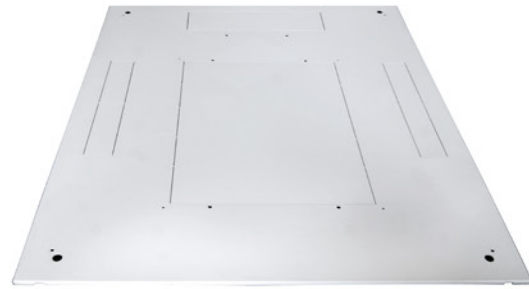
X (Color code): 7:RAL 7035 Light Grey, 9:RAL 9005 Black

Inorax-AL Network Rack Cabinet



Component Position

Top Sheet



Top Sheet Options

Material	1.2 mm Steel	Color	RAL 7035 and RAL 9005
Finish	Electrostatic Powder Paint		

W (mm)	D (mm)	H (mm)	Weight kg	Part No
600	600	7	3,24	CPZ-X-YY660-0402
600	800	7	4,34	CPZ-X-YY680-0402
600	1000	7	5,82	CPZ-X-YY600-0402
600	1070	7	6,25	CPZ-X-YY670-0402
600	1200	7	7,80	CPZ-X-YY620-0402
800	800	7	5,76	CPZ-X-YY880-0402
800	1000	7	5,92	CPZ-X-YY800-0402
800	1070	7	6,39	CPZ-X-YY870-0402
800	1200	7	6,96	CPZ-X-YY820-0402

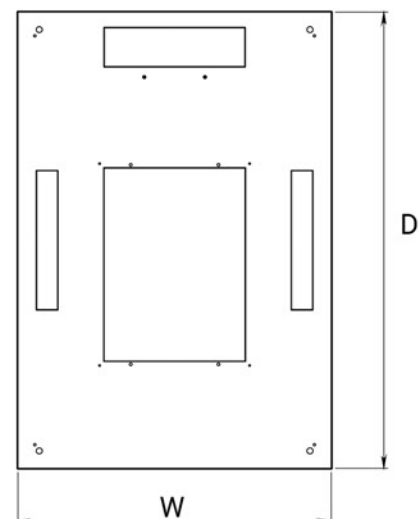
External Top Cover



External Top Cover Options

Material	1.2 mm Steel	Color	RAL 7035 and RAL 9005
Finish	Electrostatic Powder Paint		

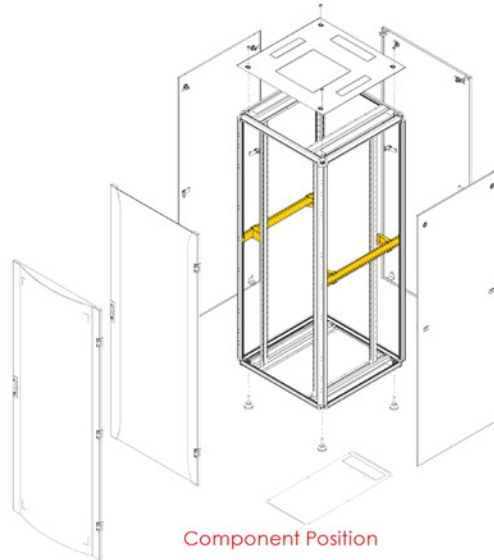
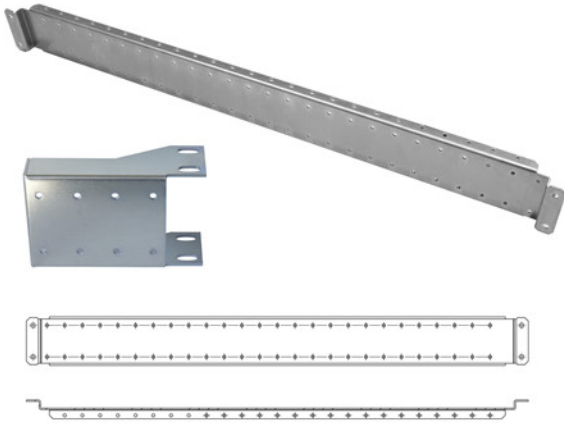
W (mm)	D (mm)	H (mm)	Weight kg	Part No
600	600	30	4,49	CPZ-X-YY660-0404
600	800	30	5,76	CPZ-X-YY680-0404
600	1000	30	7,05	CPZ-X-YY600-0404
600	1070	30	7,82	CPZ-X-YY670-0404
600	1200	30	8,6	CPZ-X-YY620-0404
800	800	30	7,11	CPZ-X-YY880-0404
800	1000	30	9,12	CPZ-X-YY800-0404
800	1070	30	10,12	CPZ-X-YY870-0404
800	1200	30	11,12	CPZ-X-YY820-0404



X (Color code): 7:RAL 7035 Light Grey, 9:RAL 9005 Black

Inorax-AL Network Rack Cabinet

Side Support Rails



Component Position



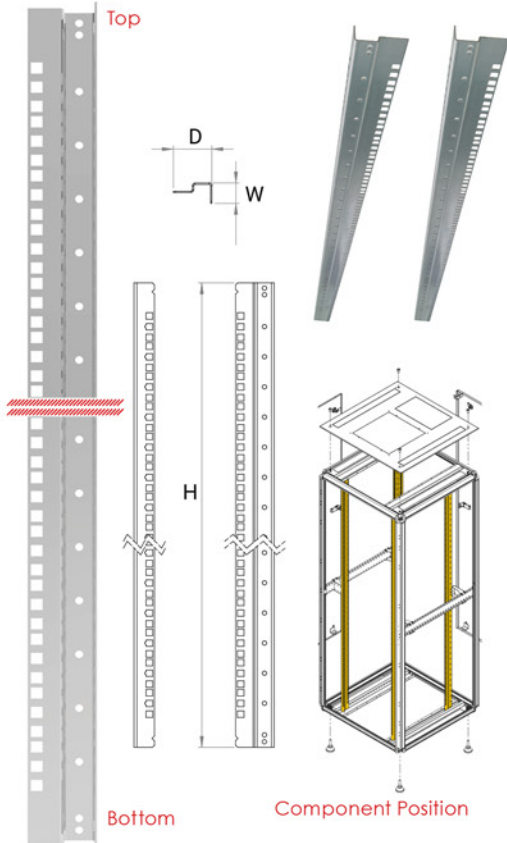
Side Support Rail Detail

Side Support Rail Options

Material	2 mm Steel	Finish	Zinc Plated
----------	------------	--------	-------------

Cabinet W (mm)	Cabinet D (mm)	Weight kg	Part No
600	600	0,75	CPZ-0-YY660-0700
600	800	0,80	CPZ-0-YY680-0700
600	1000	0,85	CPZ-0-YY600-0700
600	1070	0,87	CPZ-0-YY670-0700
600	1200	0,90	CPZ-0-YY620-0700
800	800	0,85	CPZ-0-YY880-0700
800	1000	0,92	CPZ-0-YY800-0700
800	1070	0,97	CPZ-0-YY870-0700
800	1200	1,02	CPZ-0-YY820-0700

19" Mounting Rails



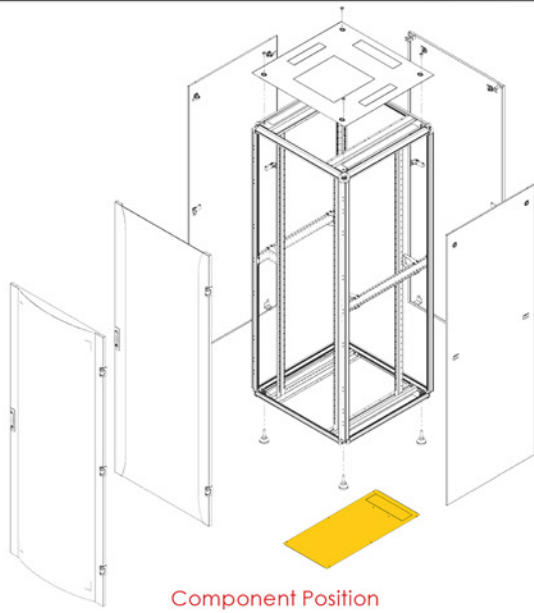
19" Mounting Rail Options

Material	2 mm Steel	Finish	Zinc-Plated
----------	------------	--------	-------------

H (U)	W (mm)	D (mm)	H (mm)	Weight kg	Part No
26U	33	52	1198	1,52	CPZ-0-26YY0-0600
32U	33	52	1464	1,85	CPZ-0-32YY0-0600
36U	33	52	1642	2,08	CPZ-0-36YY0-0600
39U	33	52	1776	2,25	CPZ-0-39YY0-0600
42U	33	52	1909	2,42	CPZ-0-42YY0-0600
47U	33	52	2131	2,7	CPZ-0-47YY0-0600

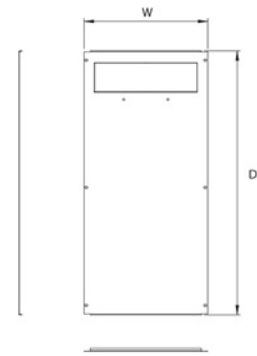
X (Color code): 7:RAL 7035 Light Grey, 9:RAL 9005 Black

Inorax-AL Network Rack Cabinet

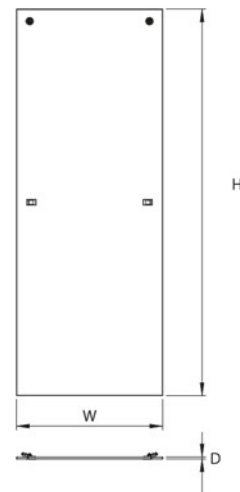


Component Position

Bottom Sheet



Rear Metal Solid Panel



Bottom Sheet Options

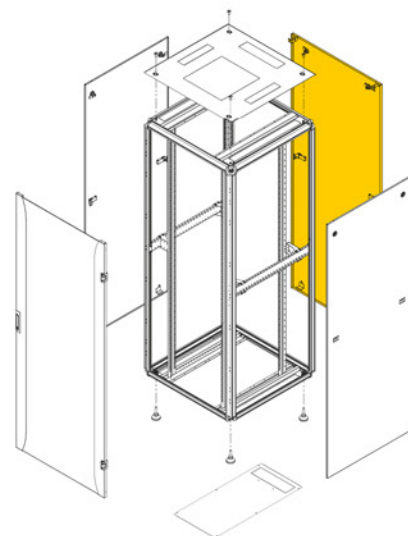
Material	1.2 mm Steel	Finish	Electrostatic Powder Paint
Color	RAL 7035 (Light Grey) and RAL 9005 (Black)		

W (mm)	D (mm)	H (mm)	Weight kg	Part No
600	600	5	1,84	CPZ-X-YY660-0403
600	800	5	2,45	CPZ-X-YY680-0403
600	1000	5	3,06	CPZ-X-YY600-0403
600	1070	5	3,37	CPZ-X-YY670-0403
600	1200	5	3,67	CPZ-X-YY620-0403
800	800	5	2,45	CPZ-X-YY880-0403
800	1000	5	3,06	CPZ-X-YY800-0403
800	1070	5	3,37	CPZ-X-YY870-0403
800	1200	5	3,67	CPZ-X-YY820-0403

Rear Metal Solid Panel Options

Material	1.2 mm Steel	Finish	Electrostatic Powder Paint
Color	RAL 7035 (Light Grey) and RAL 9005 (Black)		

H (U)	W (mm)	D (mm)	H (mm)	Weight kg	Part No
26U	600	23	1264	8,40	CPZ-X-266Y0-0901
26U	800	23	1264	11,59	CPZ-X-268Y0-0901
32U	600	23	1531	10,09	CPZ-X-326Y0-0901
32U	800	23	1531	13,92	CPZ-X-328Y0-0901
36U	600	23	1709	11,21	CPZ-X-366Y0-0901
36U	800	23	1709	15,47	CPZ-X-368Y0-0901
39U	800	23	1842	16,62	CPZ-X-398Y0-0901
42U	600	23	1975	12,89	CPZ-X-426Y0-0901
42U	800	23	1975	17,79	CPZ-X-428Y0-0901
47U	600	23	2198	14,29	CPZ-X-476Y0-0901
47U	800	23	2198	19,72	CPZ-X-478Y0-0901

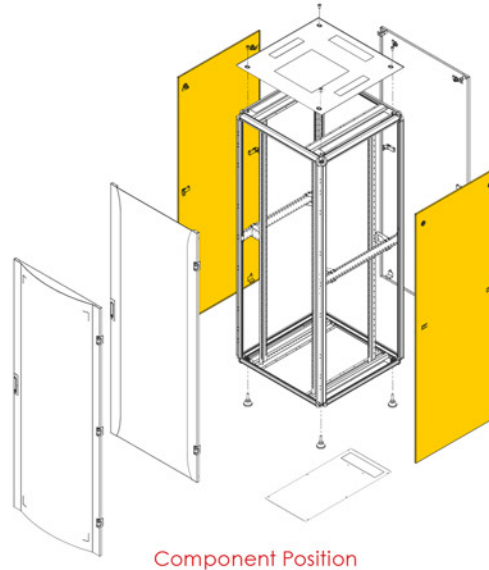
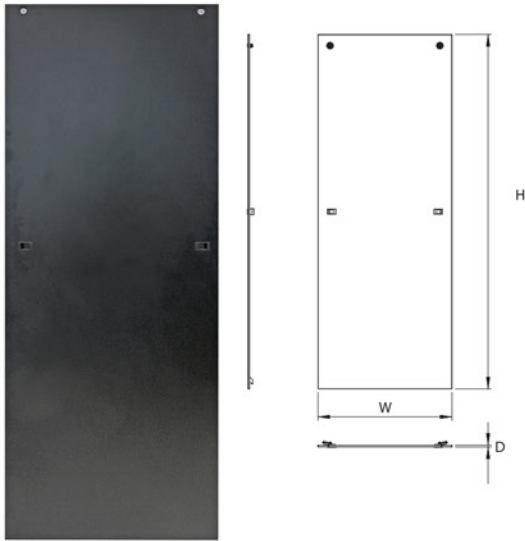


Component Position

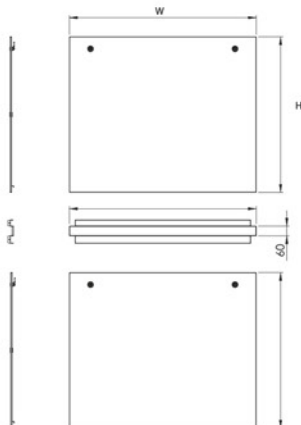
X (Color code): 7:RAL 7035 Light Grey, 9:RAL 9005 Black

Inorax-AL Network Rack Cabinet

Side Panel



Split Side Panel



Side Panel Options

Material	1,2 mm Steel	Color	RAL 7035 and RAL 9005
Finish	Electrostatic Powder Paint		

H (U)	W (mm)	D (mm)	H (mm)	Weight kg	Part No
26U	600	10	1264	7,11	CPZ-X-26Y60-0501
26U	800	10	1264	9,46	CPZ-X-26Y80-0501
26U	1000	10	1264	12,58	CPZ-X-26Y00-0501
32U	600	10	1531	8,53	CPZ-X-32Y60-0501
32U	800	10	1531	11,35	CPZ-X-32Y80-0501
36U	600	10	1709	9,49	CPZ-X-36Y60-0501
36U	800	10	1709	12,62	CPZ-X-36Y80-0501
39U	800	10	1842	13,57	CPZ-X-39Y80-0501
42U	600	10	1975	10,93	CPZ-X-42Y60-0501
42U	800	10	1975	14,54	CPZ-X-42Y80-0501
47U	600	10	2198	12,13	CPZ-X-47Y60-0501
47U	800	10	2198	16,13	CPZ-X-47Y80-0501

Split Side Panel Options

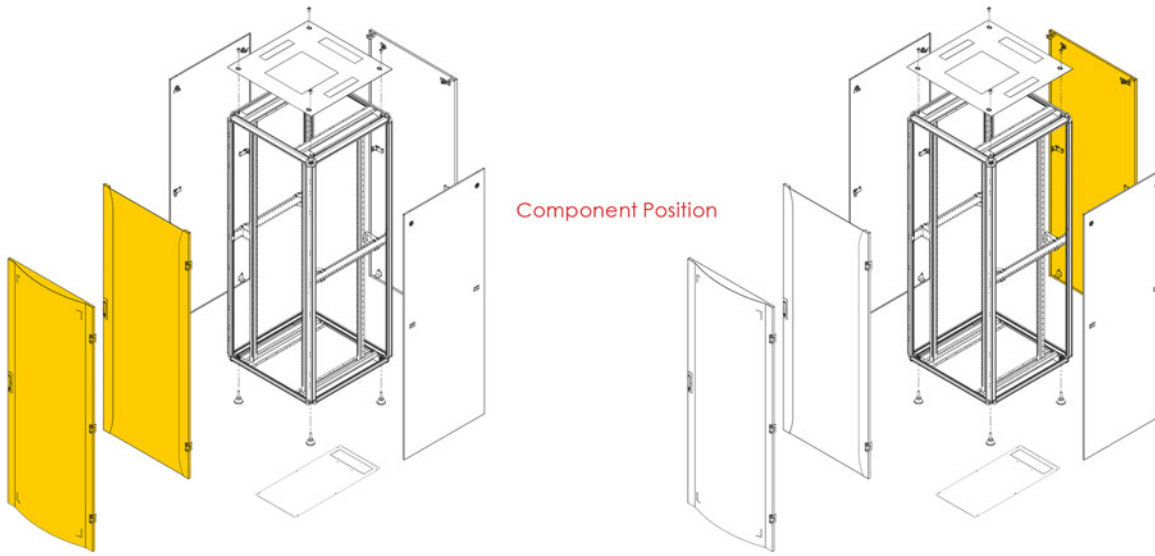
Material	1,2 mm Steel	Finish	Electrostatic Powder Paint
Color	RAL 7035 (Light Grey) and RAL 9005 (Black)		

H (U)	W (mm)	D (mm)	H (mm)	Weight kg	Part No
36U	1000	10	1709	16,79	CPZ-X-36Y00-0503
36U	1200	10	1709	22,33	CPZ-X-36Y20-0503
39U	1000	10	1842	18,06	CPZ-X-39Y00-0503
42U	1000	10	1975	19,33	CPZ-X-42Y00-0503
42U	1070	10	1975	23,67	CPZ-X-42Y70-0503
42U	1200	10	1975	25,71	CPZ-X-42Y20-0503
47U	1000	10	2198	21,46	CPZ-X-47Y00-0503
47U	1070	10	2198	25,00	CPZ-X-47Y70-0503
47U	1200	10	2198	28,54	CPZ-X-47Y20-0503

X (Color code): 7:RAL 7035 Light Grey, 9:RAL 9005 Black

Inorax-AL Network Rack Cabinet

Single Door Options



Glass Door Options

Material	1.2 mm Steel, 4 mm Tempered Glass, tinted on left and right sides
Finish	Electrostatic Powder Paint
Color	RAL 7035 (Light Grey) and RAL 9005 (Black)

H (U)	W (mm)	D (mm)	H (mm)	Weight kg	Part No
26U	600	19	1264	9,41	CPZ-X-266Y0-0903
26U	800	19	1264	11,86	CPZ-X-268Y0-0903
32U	600	19	1531	11,29	CPZ-X-326Y0-0903
32U	800	19	1531	14,23	CPZ-X-328Y0-0903
36U	600	19	1709	12,55	CPZ-X-366Y0-0903
36U	800	19	1709	15,81	CPZ-X-368Y0-0903
39U	800	19	1842	17,00	CPZ-X-398Y0-0903
42U	600	19	1975	14,43	CPZ-X-426Y0-0903
42U	800	19	1975	18,18	CPZ-X-428Y0-0903
47U	600	19	2198	16,00	CPZ-X-476Y0-0903
47U	800	19	2198	20,16	CPZ-X-478Y0-0903

Glass Door Supported By Metal Brackets

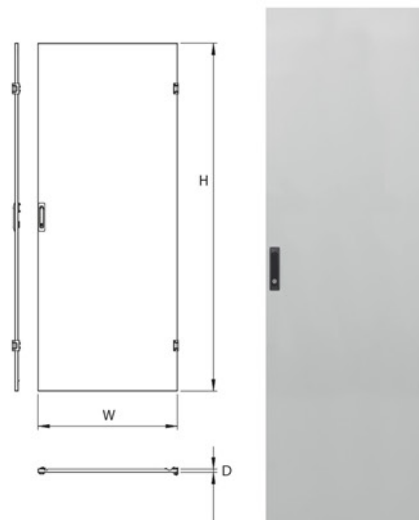


Metal Solid Door Options

Material	1.2 mm Steel	Finish	Electrostatic Powder Paint
Color	RAL 7035 (Light Grey) and RAL 9005 (Black)		

H (U)	W (mm)	D (mm)	H (mm)	Weight kg	Part No
26U	600	10	1264	11,08	CPZ-X-266Y0-0902
26U	800	10	1264	13,74	CPZ-X-268Y0-0902
32U	600	10	1531	13,15	CPZ-X-326Y0-0902
32U	800	10	1531	16,31	CPZ-X-328Y0-0902
36U	600	10	1709	14,50	CPZ-X-366Y0-0902
36U	800	10	1709	17,98	CPZ-X-368Y0-0902
39U	800	10	1842	19,24	CPZ-X-398Y0-0902
42U	600	10	1975	16,54	CPZ-X-426Y0-0902
42U	800	10	1975	20,51	CPZ-X-428Y0-0902
47U	600	10	2198	18,24	CPZ-X-476Y0-0902
47U	800	10	2198	22,62	CPZ-X-478Y0-0902

Metal Solid Door



X (Color code): 7:RAL 7035 Light Grey, 9:RAL 9005 Black

Inorax-AL Network Rack Cabinet

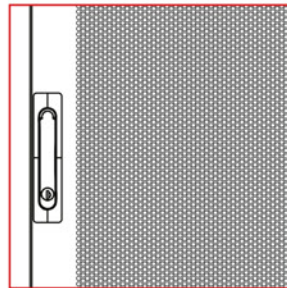
Perforated Flat Door



Perforated Flat Door Options

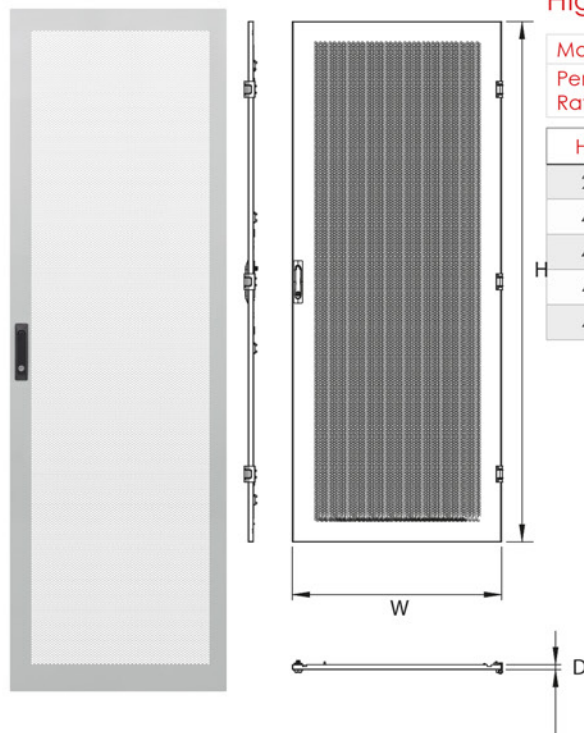
Material	1.2 mm Steel	Finish	Electrostatic Powder Paint
Perforation Rate	65%	Color	RAL 7035 and RAL 9005

H (U)	W (mm)	D (mm)	H (mm)	Weight kg	Part No
26U	600	19	1264	8,21	CPZ-X-266Y0-0904
36U	600	19	1709	11,35	CPZ-X-366Y0-0904
39U	800	19	1842	15,50	CPZ-X-398Y0-0904
42U	600	19	1975	12,23	CPZ-X-426Y0-0904
42U	800	19	1975	16,08	CPZ-X-428Y0-0904
47U	600	19	2198	14,90	CPZ-X-476Y0-0904
47U	800	19	2198	18,86	CPZ-X-478Y0-0904



Perforation Detail

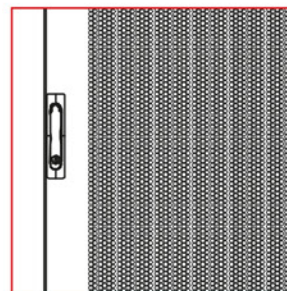
High Perforation Rated Flat Door



High Perforation Rated Flat Door Options

Material	1.2 mm Steel	Finish	Electrostatic Powder Paint
Perforation Rate	80%	Color	RAL 7035 and RAL 9005

H (U)	W (mm)	D (mm)	H (mm)	Weight kg	Part No
26U	600	19	1264	7,91	CPZ-X-266Y0-0909
42U	600	19	1975	11,93	CPZ-X-426Y0-0909
42U	800	19	1975	15,78	CPZ-X-428Y0-0909
47U	600	19	2198	14,60	CPZ-X-476Y0-0909
47U	800	19	2198	18,56	CPZ-X-478Y0-0909



Perforation Detail

X (Color code): 7:RAL 7035 Light Grey, 9:RAL 9005 Black

Inorax-AL Network Rack Cabinet

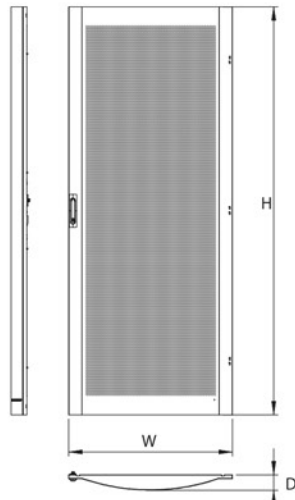
Perforated Curved Door Options

Material	1.2 mm Steel	Finish	Electrostatic Powder Paint
Perforation Rate	67%	Color	RAL 7035 and RAL 9005

H (U)	W (mm)	D (mm)	H (mm)	Weight kg	Part No
26U	600	57	1264	9,41	CPZ-X-266Y0-0905
36U	600	57	1709	12,55	CPZ-X-366Y0-0905
39U	800	76	1842	17,00	CPZ-X-398Y0-0905
42U	600	57	1975	14,43	CPZ-X-426Y0-0905
42U	800	76	1975	18,18	CPZ-X-428Y0-0905
47U	600	57	2198	16,00	CPZ-X-476Y0-0905
47U	800	76	2198	20,16	CPZ-X-478Y0-0905



Perforation Detail



Perforated Curved Door



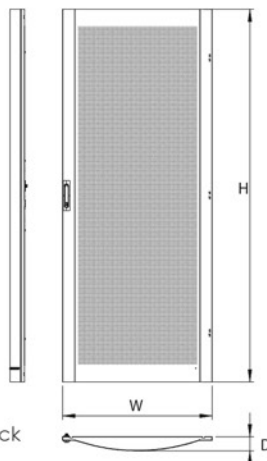
High Perforation Rated Curved Door Options

Material	1.2 mm Steel	Finish	Electrostatic Powder Paint
Perforation Rate	82%	Color	RAL 7035 and RAL 9005

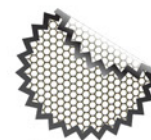
H (U)	W (mm)	D (mm)	H (mm)	Weight kg	Part No
26U	600	57	1264	9,10	CPZ-X-266Y0-0910
42U	600	57	1975	14,13	CPZ-X-426Y0-0910
42U	800	76	1975	17,88	CPZ-X-428Y0-0910
47U	600	57	2198	15,70	CPZ-X-476Y0-0910
47U	800	76	2198	19,86	CPZ-X-478Y0-0910



Perforation Detail



High Perforation Rated Curved Door

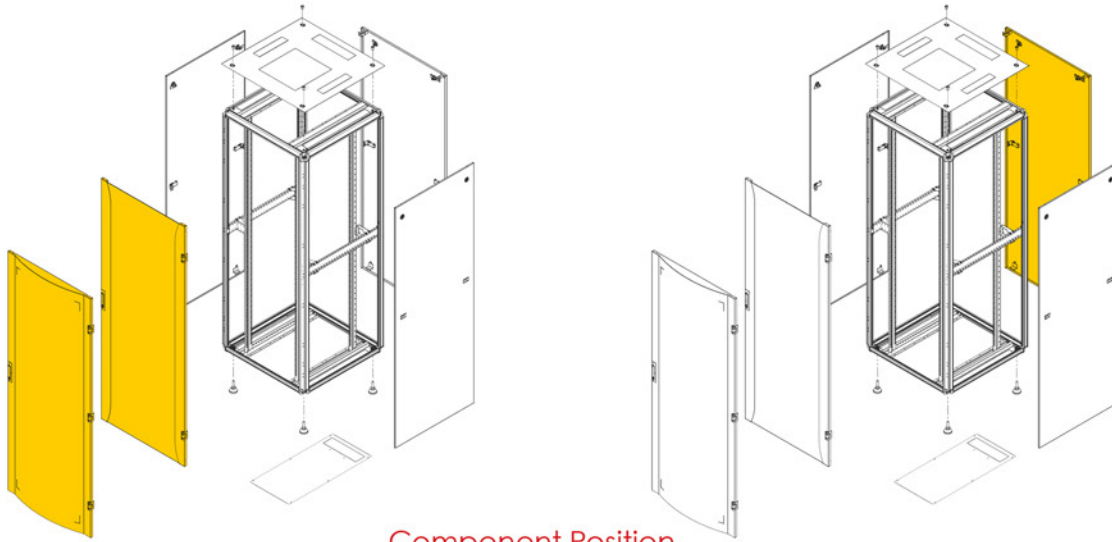


Formed Pattern Perforation with 82%

X (Color code): 7:RAL 7035 Light Grey, 9:RAL 9005 Black

Inorax-AL Network Rack Cabinet

Double Door Options



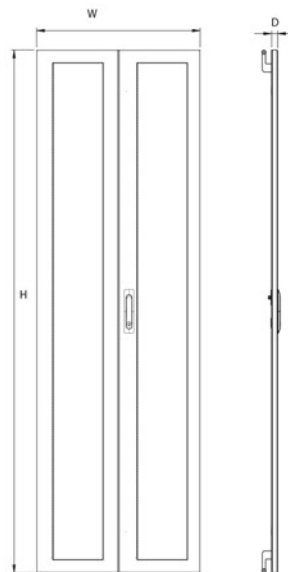
Component Position

Double Glass Door



Double Glass Door Options

Material	1.2 mm Steel, 4 mm Tempered Glass				
Finish	Electrostatic Powder Paint				
Color	RAL 7035 (Light Grey) and RAL 9005 (Black)				
H (U)	W (mm)	D (mm)	H (mm)	Weight kg	Part No
42U	800	19	1975	20,66	CPZ-X-428Y0-0907
47U	800	19	2198	22,70	CPZ-X-478Y0-0907



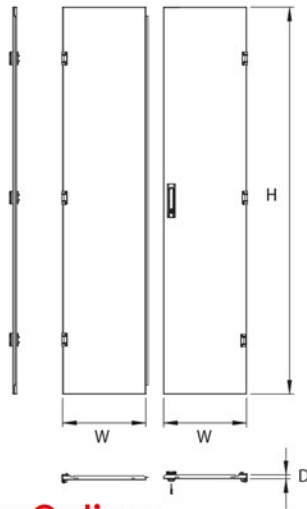
X (Color code): 7:RAL 7035 Light Grey, 9:RAL 9005 Black

Inorax-AL Network Rack Cabinet

Double Metal Solid Door Options

Material	1.2 mm Steel	Finish	Electrostatic Powder Paint
Color	RAL 7035 and RAL 9005		

H (U)	W (mm)	D (mm)	H (mm)	Weight kg	Part No
42U	800	19	1975	20,81	CPZ-X-428Y0-0906
47U	800	19	2198	23,12	CPZ-X-478Y0-0906



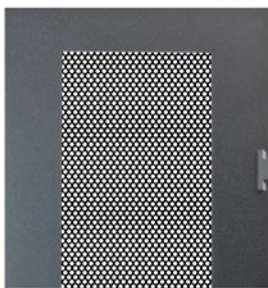
Double Metal Solid Door



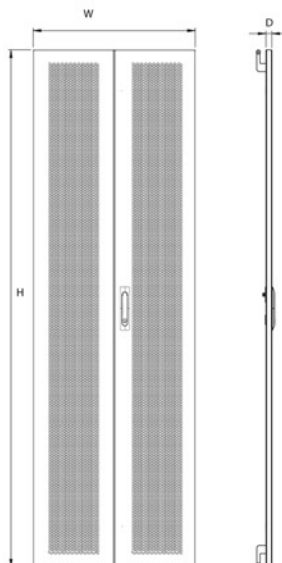
Perforated Double Flat Door Options

Material	1.2 mm Steel	Finish	Electrostatic Powder Paint
Perforation Rate	65%	Color	RAL 7035 and RAL 9005

H (U)	W (mm)	D (mm)	H (mm)	Weight kg	Part No
26U	600	19	1264	8,38	CPZ-X-266Y0-0908
36U	600	19	1709	10,14	CPZ-X-366Y0-0908
39U	800	19	1842	13,53	CPZ-X-398Y0-0908
42U	600	19	1975	11,45	CPZ-X-426Y0-0908
42U	800	19	1975	14,40	CPZ-X-428Y0-0908
47U	600	19	2198	12,57	CPZ-X-476Y0-0908
47U	800	19	2198	15,74	CPZ-X-478Y0-0908



Perforation Detail



Perforated Double Flat Door



X (Color code): 7:RAL 7035 Light Grey, 9:RAL 9005 Black

Inorax-AL Network Rack Cabinet

High Perforation Rated Double Flat Door

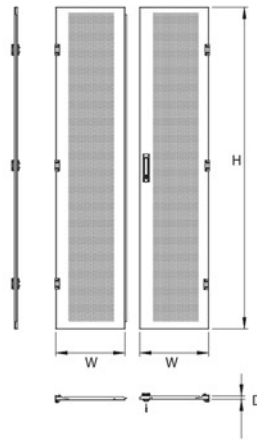


Formed Pattern
Perforation with 80%

High Perforation Rated Double Flat Door Options

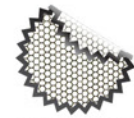
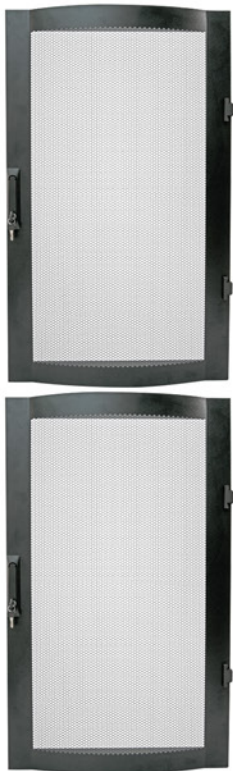
Material	1.2 mm Steel	Finish	Electrostatic Powder Paint
Perforation Rate	80%	Color	RAL 7035 and RAL 9005

H (U)	W (mm)	D (mm)	H (mm)	Weight kg	Part No
26U	600	19	1264	8,08	CPZ-X-266Y0-0911
36U	600	19	1709	9,84	CPZ-X-366Y0-0911
39U	800	19	1842	13,23	CPZ-X-398Y0-0911
42U	600	19	1975	11,15	CPZ-X-426Y0-0911
42U	800	19	1975	14,10	CPZ-X-428Y0-0911
47U	600	19	2198	12,27	CPZ-X-476Y0-0911
47U	800	19	2198	15,44	CPZ-X-478Y0-0911



Perforation Detail

High Perforation Rated Curved Door for Colocation Cabinets

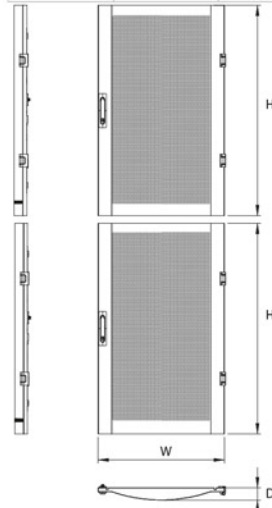


Formed Pattern
Perforation with 82%

High Perforation Rated Curved Door for Colocation Cabinet Options

Material	1.2 mm Steel	Finish	Electrostatic Powder Paint
Perforation Rate	82%	Color	RAL 7035 and RAL 9005

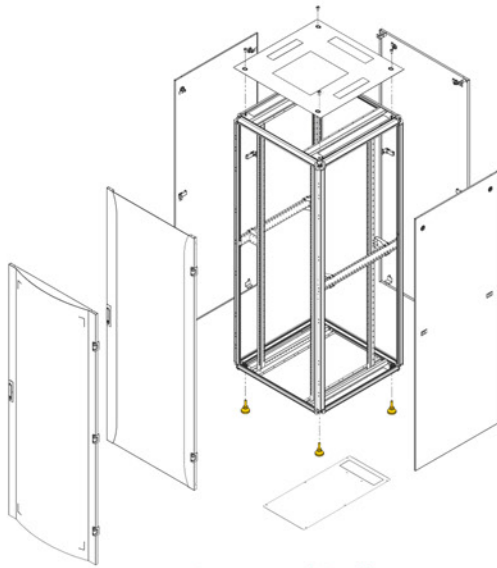
H (U)	W (mm)	D (mm)	H (mm)	Weight kg	Part No
21U+21U	600	57	1975	10,20	CPZ-X-426Y0-0912
21U+21U	800	76	1975	11,32	CPZ-X-428Y0-0912



Perforation Detail

X (Color code): 7:RAL 7035 Light Grey, 9:RAL 9005 Black

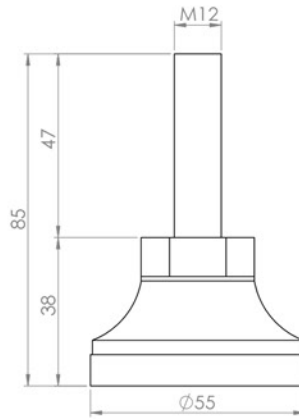
Inorax-AL Network Rack Cabinet



Component Position

Feet Options

Adjustable Feet



Adjustable Feet Options

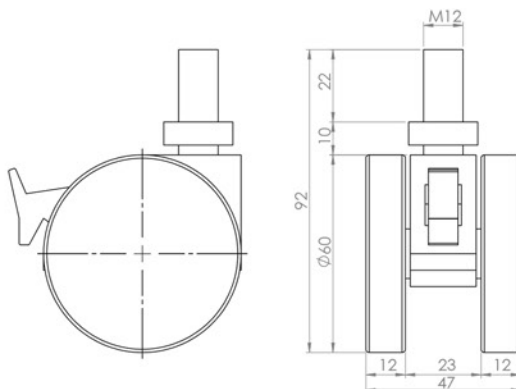
Material	Steel and Plastic ABS	Finish	Zinc Plated
Packaging	4 pieces in a box		
Maximum Static Load	Set Weight kg	Part No	
600 kg / piece	0.35	CCA-0-7014	

Castor Set



Castor Set Options

Material	Steel and Plastic ABS	Finish	Zinc Plated
Packaging	2 pieces with stopper and 2 pieces without Stopper in a box		
Maximum Static Load	Set Weight kg	Part No	
75 kg / piece	0.77	CCA-0-7015	



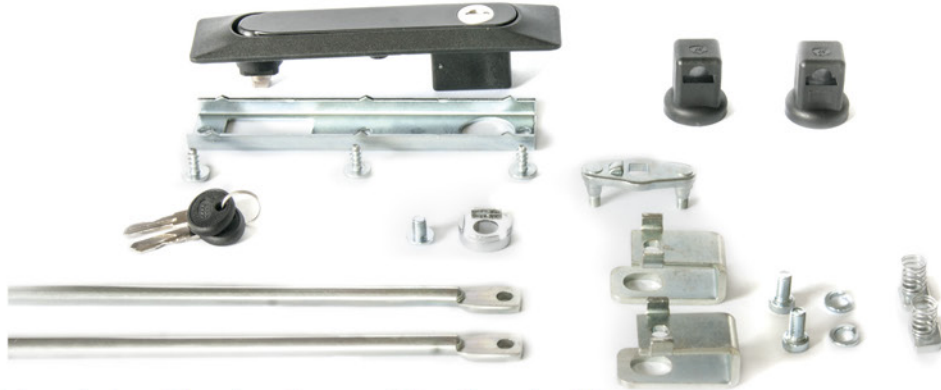
X (Color code): 7:RAL 7035 Light Grey, 9:RAL 9005 Black

Inorax-AL Network Rack Cabinet

Locking Device Systems

Multi Point Lock for Double Doors

Material	Polyamide, Steel
Packaging	1 piece in a box
Part No	CPZ-0-YYYY0-1005



Four Point Lock for Single Curved Perforated Door

Material	Polyamide, Steel
Packaging	1 piece in a box
Part No	CPZ-0-YYYY0-1004



Three Point Lock for Single Perforated Door

Material	Polyamide, Steel
Packaging	1 piece in a box
Part No	CPZ-0-YYYY0-1006



Inorax-AL Network Rack Cabinet

Single Point Lock



Material	Polyamide
Packaging	1 piece in a box
Part No	CPZ-0-YYYY0-1003

Cylindrical Lock for Side Panel



Material	Zamak, Steel
Packaging	1 piece in a box
Part No	CPZ-0-YYYY0-1001

Cylindrical Lock for Rear Metal Solid Panel



Material	Zamak, Steel
Packaging	1 piece in a box
Part No	CPZ-0-YYYY0-1002